

COMMERCIAL DRAINAGE



TABLE OF CONTENTS

Overview2

COMMERCIAL DRAINS

Drains used in Commercial Public Buildings such as **Pools, Leisure Centres, Washrooms, Office Blocks** including *barefoot* areas and also *very high footfall* areas such as **Rail, Airport, Bus Terminals** and **Sports Stadia**

Commercial Drainage Options4

Kent KF161 – Angle Frame and Grating8

KENT KVT162 - Commercial Gully9

KENT KVT162/50 – Commercial Gully10

Kent KVT162/1.5” BSP – Commercial Gully11

KENT KVT152/110TP - Commercial Gully12

Kent KVT170 (SQPF) – Square Top Gully13

Kent KVT170 (RDPF) - Round Top Gully14

Kent KVT170 (SQSL) - Square Top Gully15

Kent KVT170 (RDSDL) - Round Top Gully16

Kent KVV225 – Vinyl Floor Gully17

Kent KVV225/50 - Vinyl Floor Gully18

Kent KVV225/1.5”BSP - Vinyl Floor Gully19

Kent KVV225 (PF) - Vinyl Floor Gully20

Kent KR161/110 – Square Top Rodding Eye21

Kent KRE170TP (SQ) – Square Top Rodding Eye22

Kent KRE170TP (RD) – Round Top Rodding Eye23

Kent KDTG150 – Dished Tile Gully24

Kent Commercial Channel Range25

Kent KCRM600/600 – Commercial Range Manhole32

RESIDENTIAL DRAINS

Drains used internally in **Apartment Blocks and Private Residences** restricted to *low volumes of pedestrian traffic* and also *barefoot traffic* in walk in **Showers** and **Wetrooms**

Overview of Residential Drains36

Kent KFD150/102 – Floor Drain37

Kent KCO150/102 – Cleanout38

Kent KTD150/102 – Tile Drain39

Kent KTD150/110 – Tile Drain40

Kent KTCO150/102 – Tile Cleanout41

Kent KSSD150/102 – Shower Slot Drain42

Kent KHFD160/102 – Hinged Floor Drain43

Kent KHFCO160/102 – Hinged Floor Cleanout44

Kent KSMHD150/102 – Shower Heelmesh Drain45

Kent KSD78/48 – Shower Drain46

Kent KBD 100/50 - Balcony Drain47

Kent KLSD (SP) – Linear Shower Drain (Square Perforated)48

Kent KLSD (SS) – Linear Shower Drain (Stainless Slot)49

KENT KLSD (T) – Linear Shower Drain (Tile)50

KENT KLSD (HM) – Linear Shower Drain (Heelmesh)51

KENT KWRC(AS) – Wetroom Channel with Tanking Flange (Annular Slot)52

KENT KWRC(HM) – Wetroom Channel with Tanking Flange (Heelmesh)53

KENT KWRC(SL) – Wetroom Channel with Tanking Flange (Slotted)54

KENT KWRC(T) – Wetroom Channel with Tanking Flange (Tile)55

OTHER BUILDING DRAINS

Drains used on **Roofs, Balconies, Decks, Door Thresholds** and some other areas connected to the building - almost always restricted to *pedestrian traffic*

Overview of Other Building Drains58

Kent KSIC125 – Shallow Invert Channel59

Kent KPPC125 – Permeable Paving Channel60

Kent KEC65 – Economy Channel61

Kent KDTC60 – Threshold channel62

Kent KVV225/110RG – Stainless Steel Controlled Roof Gully63

Kent KDN160/110 – Stainless Downspout Nozzle64

KENT KPD185/153/110 – Kent Parapet Drain65

Kent KNW315/110 – Stainless Trash Can Drain/Nozzle Wash66

The Kent Commercial Drainage Brochure is one in a family of three Kent Drainage Brochures that also includes the Kent Industrial Drainage and Kent Civil Drainage Brochures.

This brochure will cover Commercial Drains, Residential Drains and Other Building Drains.

The intended use of the majority of these products is in areas predominantly subjected to pedestrian traffic. For the Residential Drains this is exclusively pedestrian, but the remainder of the Commercial Drainage range can take heavy traffic due to thicker stainless steel construction on relatively small drain bodies.

This range is often off the shelf, or with short lead times, is low cost, attractive and made fully from grade 304 stainless steel – with an option in most cases for grade 316 stainless steel.

Products in this range comply with EN1253 or EN1433 and are manufactured in Kent Stainless modern factory operating to ISO9001 quality standards.

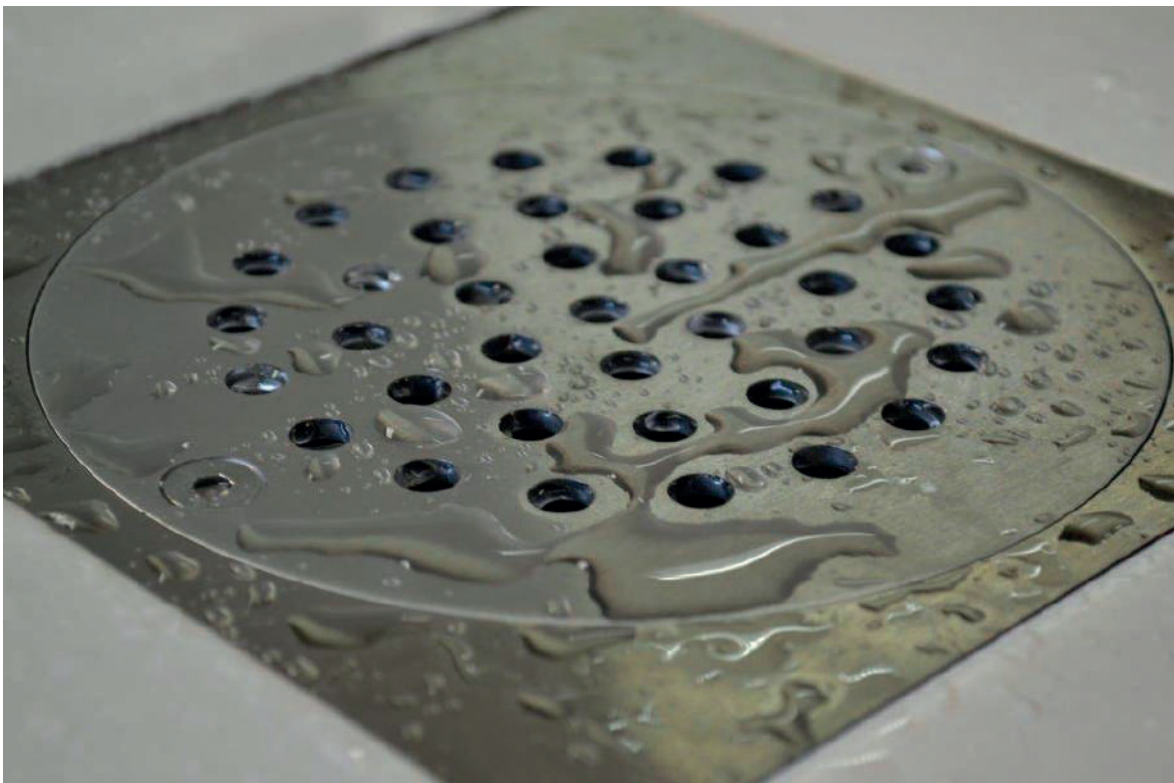
Our other drainage brochures deal with:

- Civil Landscape Projects (Kent Civil Drainage Brochure)
- Factory Projects (Kent Industrial Drainage Brochure)

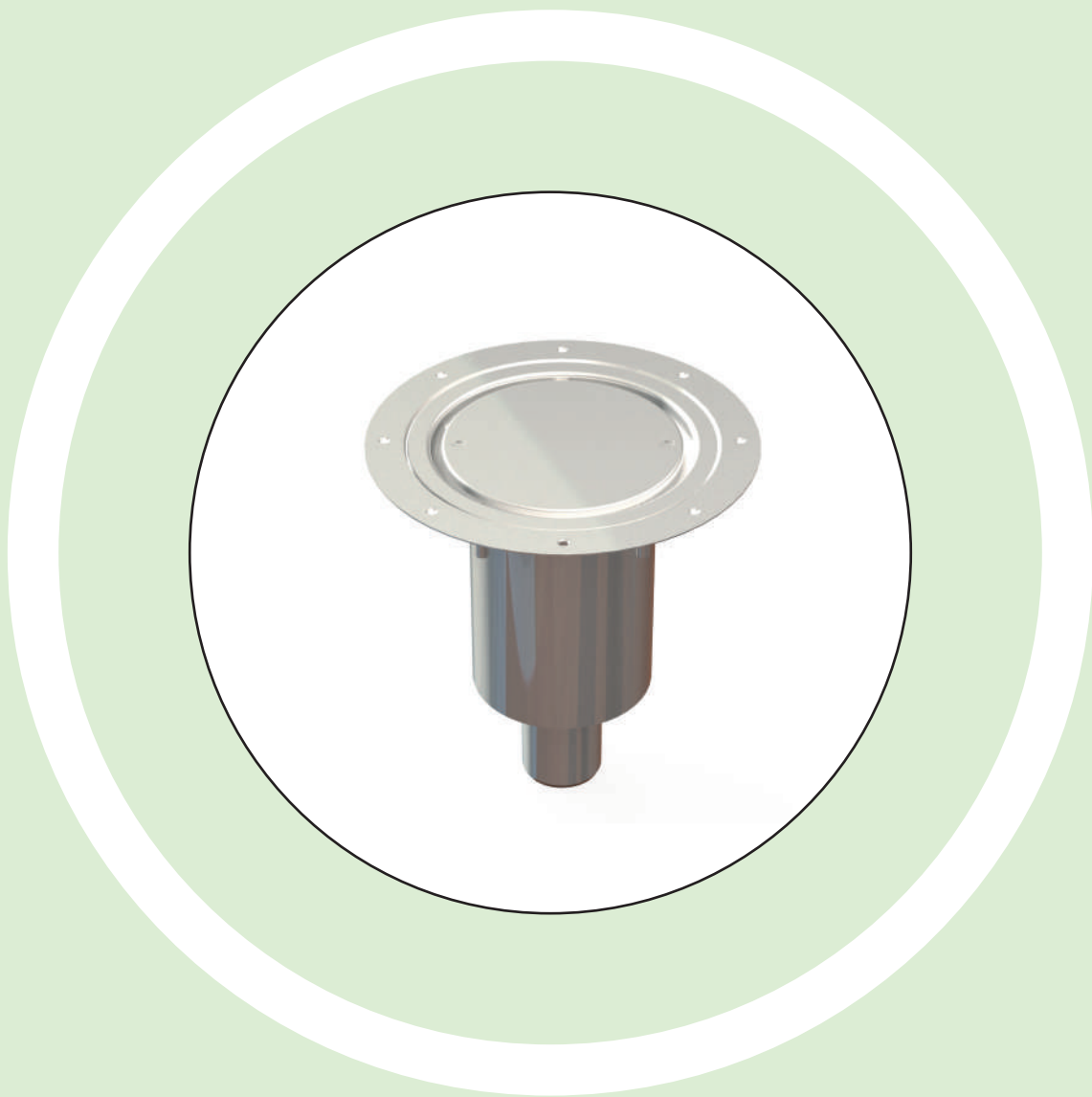
Kent also have a range of other products complementing these projects including:

- Grease Interceptors
- Surface Protection
- Street Furniture
- Manholes
- Ventilation Grilles

Products are manufactured in our 8000sqm factory in Ardavan, Wexford, Ireland.



COMMERCIAL DRAINS



Barefoot + Pedestrian Areas

- Pools
- Leisure Centres
- Washrooms
- Office Blocks

Very High Footfall Areas

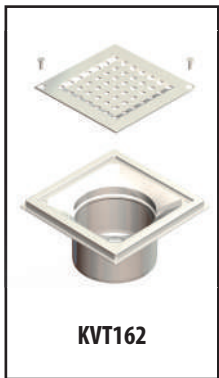
- Rail Terminals
 - Airport Terminals
 - Bus Terminals
 - Sports Stadia
-



KENT COMMERCIAL DRAINAGE RANGE

This section presents a range of gullies and channels designed for commercial projects. Typically these projects might have a high rate of pedestrian usage and occasional traffic by sack trolleys. Lighter covers like the KVT162 and KVV225 range are designed for public washrooms, shower areas, swimming pools, leisure centres. Heavier covers like the KVT150 and KVT170 range are better for terminals with very heavy pedestrian traffic - like stadiums, airports, rail stations, hospitals.

Choose Top Part...



KVT162



KVT170SQ



KVT170RD



KVV225

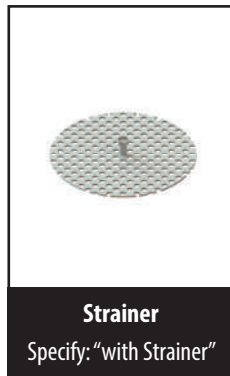


KDTG150

Top Part Only 110mm

Choose Optional Strainer or Trap...

Strainer is optional...



Strainer

Specify: "with Strainer"

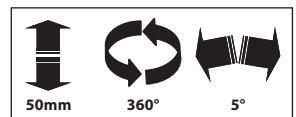


Trapped

Specify: "with Trap"

KFT110 Trap is optional...

A foul air trap for 110mm outlets giving a 1.4 l/s flowrate



Choose Optional Height Adjustment body...



Allows height adjustment of 50mm

KVBO Body

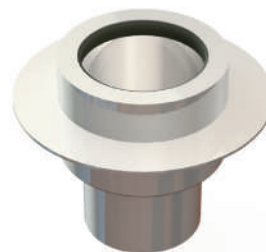
Specify: "with KVBO Body"



Converts these bottom outlet gullies into side outlets. Can be 50mm or 1.5" BSP

KHBO Body

Specify: "with with KHBO Body"



Flange

Specify: "with Flange"

See page 5 for more details



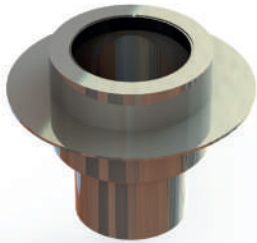
Side Inlets

Specify: "with Side Inlets"

See page 5 for more details

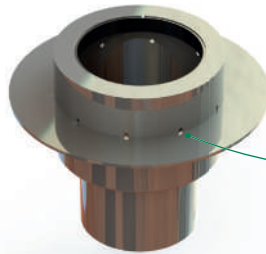
Choose Optional Flange Types...

3 Flanges are available to be welded to the KVBO or KHBO Body



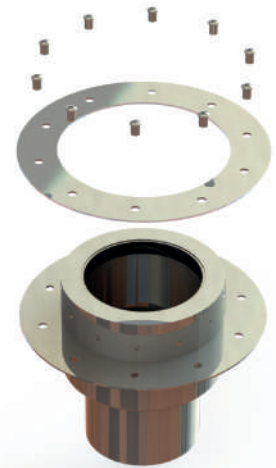
Holding Flange

Specify: "with Holding Flange"



Puddle Flange

Specify: "with Puddle Flange"



Damp Proof Membrane Flange

Specify: "with Damp Proof Membrane Flange"

Choose Optional Side Inlets...

If Side Inlets are required they must be added to KVBO or KHBO Gully Bodies.



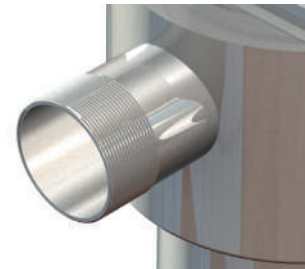
50mm Side Inlet

Specify: "with 50mm Side Inlet"



1.5" BSP Socket Side Inlet

Specify: "with 1.5" BSP Socket Side Inlet"



1.5" BSP Nipple Side Inlet

Specify: "with 1.5" BSP Nipple Side Inlet"

Notably Side Inlets do not have to be 90 degrees to each other - they can be specified at 15 degree, 30 degree or 45 degree angles.



Specify: "with two 50mm side inlets at 90 degree angles"



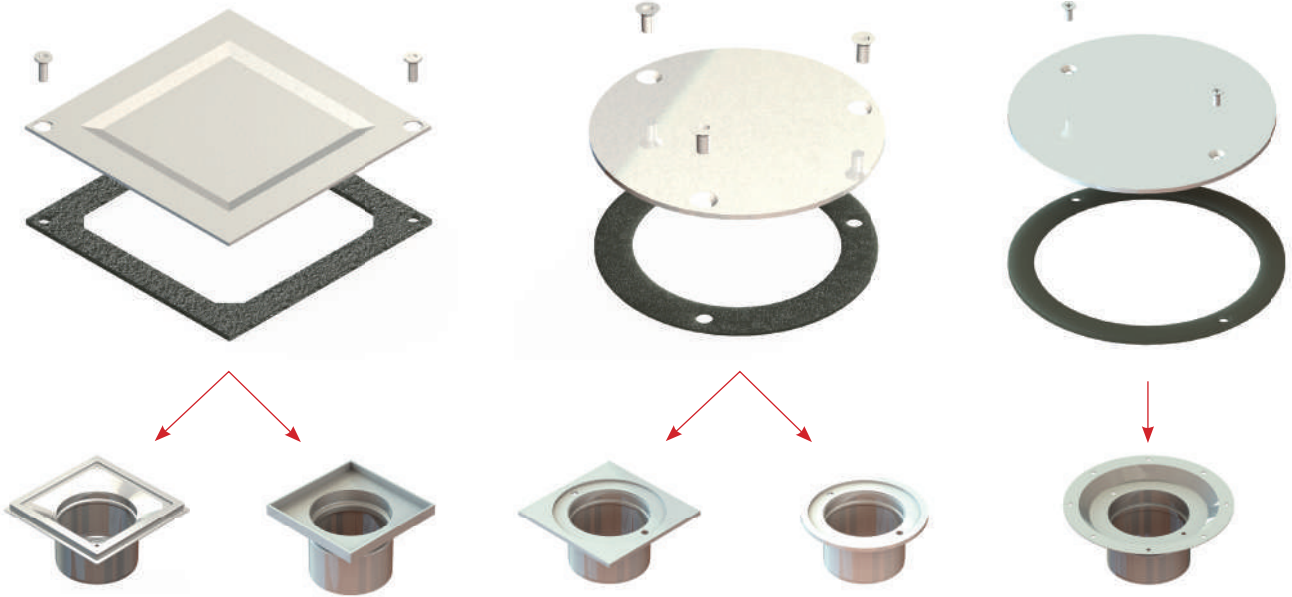
Specify: "with two 50mm side inlets at 45 degree angles"

KENT COMMERCIAL DRAINAGE RANGE

Choose Optional Sealed Tops...

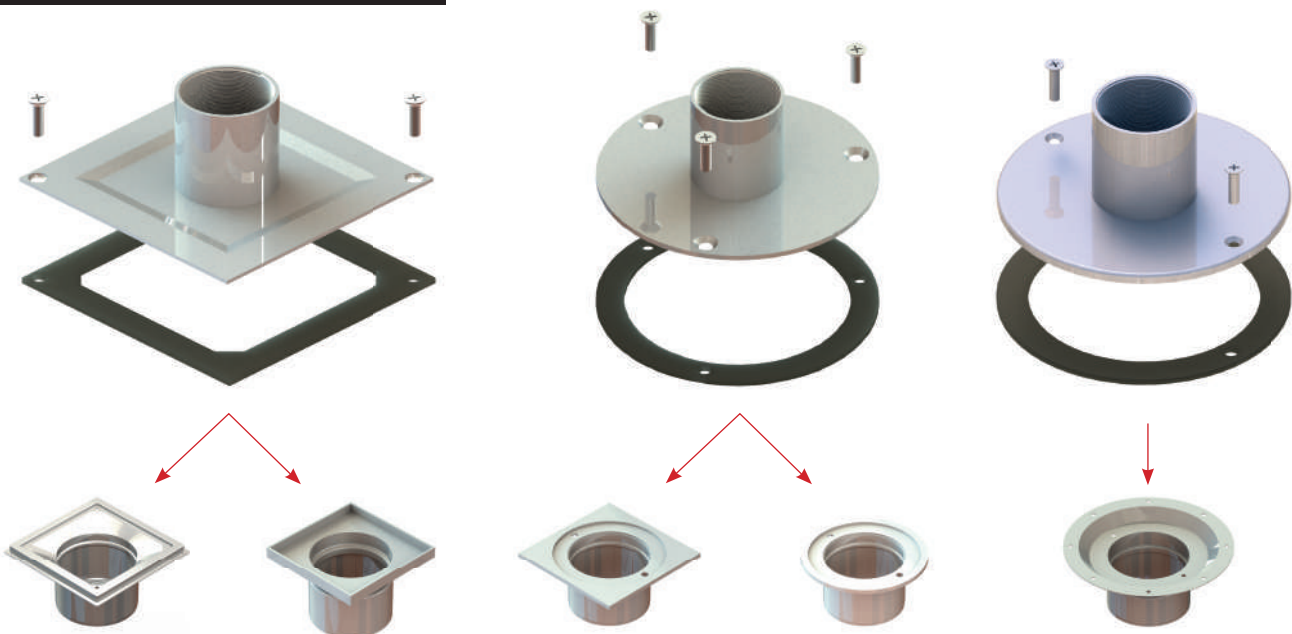
Most of our Gullies can be supplied with 'sealed' tops or 'sealed with threaded inlet tops'. Sealed Tops are for rodding points along a drainage run.

Specify: "with Sealed Top"



Choose Optional Threaded Inlet Tops...

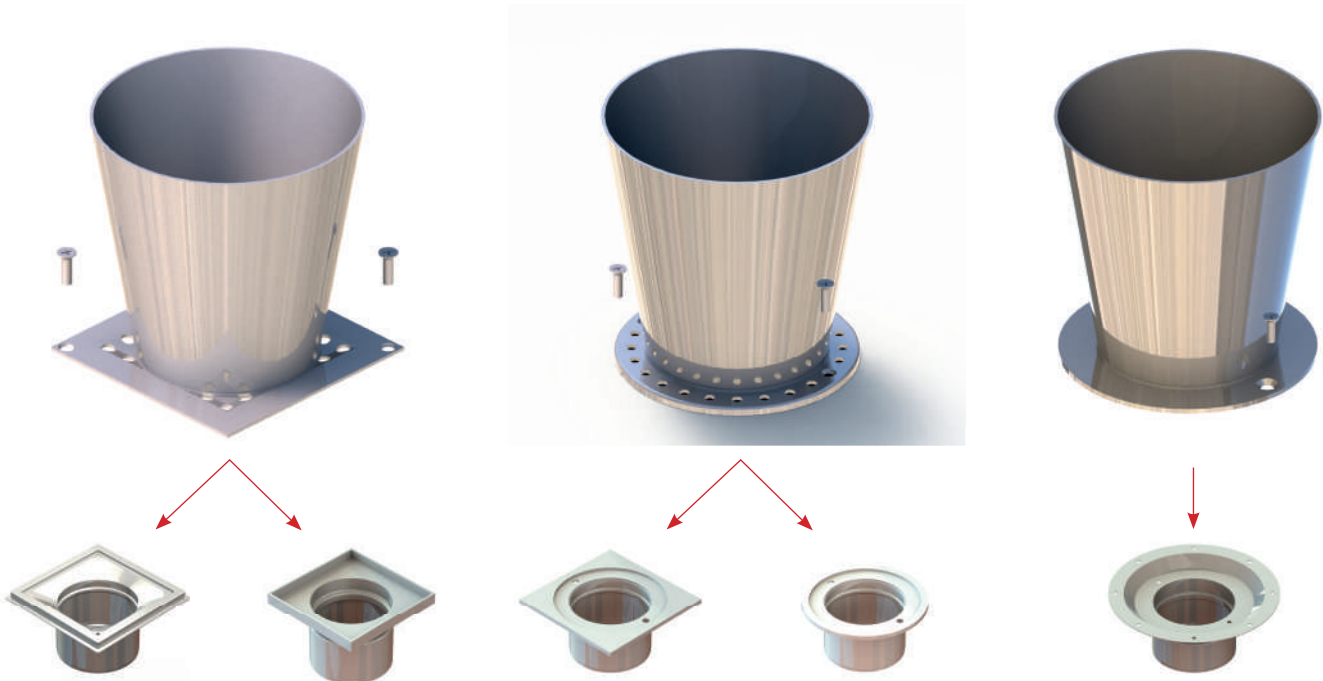
Specify: "with Sealed Top with Threaded Inlet"



Choose Optional Tundishes...

Covers with Tundishes measuring 150mm high x 152mm diameter reducing to 110mm are available for all our Commercial Gullies.

Specify: "with Tundish"

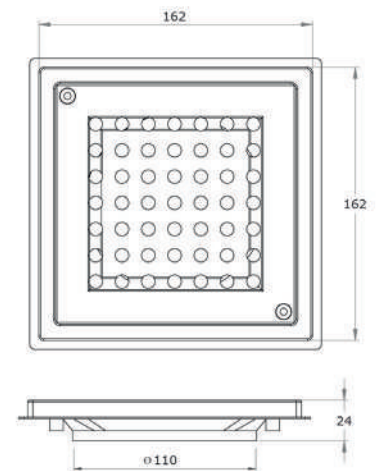


KENT KF161 - Frame and Grating (Pedestrian)

The KF161 Gully Top is supplied as standard with a lockdown perforated grating and is trapped by a P Bend or S Bend elsewhere in the system. For trapped versions please see the KVT162/110TP gully. Use this gully for a low cost drain point where the outlet is trapped elsewhere.

Features

- Grade 304 (1.4301) or 316 (1.4401) Stainless Steel to BS EN 10088
- 110mm diameter outlet (short pressed outlet)
- Satin finish as standard
- Ex stock
- Lock down as standard



Barefoot



Pedestrian

Product Code	Height	Width	Depth	Outlet	Flow Rate
KF161	24	162	162	110	1.4l/s

**Specify Kent KF161 Floor Gully. 162mm x 162mm, floor drain.
Grade 304 stainless steel with a satin polish finish.**

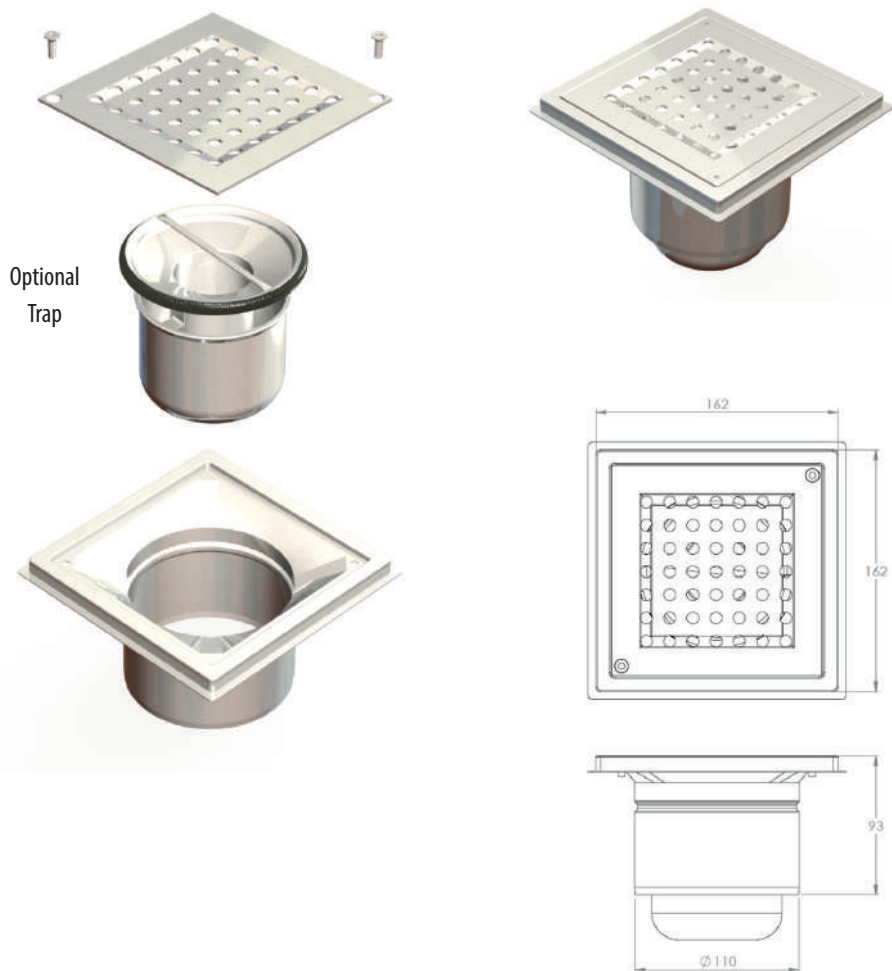
**BS EN1253
Loading Class K3**

KENT KVT162 - Commercial Gully (Pedestrian)

The KVT162 Gully is a square top stainless steel gully for tiled and poured floor areas. It is supplied as standard with a lockdown perforated grating.

Features

- Grade 304 (1.4301) or 316 (1.4401) Stainless Steel to BS EN 10088
- Satin finish as standard
- Customised perforated patterns available
- Ex stock
- Lock down as standard



Barefoot



Pedestrian

**BS EN1253
Loading Class K3**

Product Code	Height	Width	Depth	Outlet	Flow Rate	Description
KVT162/110TP	93	162	162	110	1.4 l/s	Top Part Only Bottom Outlet 110mm
KVT162/110	200-250	162	162	110	1.4 l/s	Adjustable Height 2 Part Bottom Outlet - See Page 4
KHT162/50	140-185	162	162	50	0.9 l/s	Adjustable Height 2 Part Side Outlet 50mm - See Page 4
KHT162/1.5"BSP	140-185	162	162	1.5"BSP	0.9 l/s	Adjustable Height 2 Part Side Outlet 1.5"BSP - See Page 4
KFT110						110mm Trap with 50mm water seal

**Specify Kent KVT162/110TP Floor Gully. 162mm x 162mm, fixed height floor drain.
Grade 304 stainless steel with a satin polish finish, supplied with KFT110 Trap.**



KENT KVT162/50 – Commercial Gully (Pedestrian)

Kent
STAINLESS

This is a modified version of our KVT162/110 Floor Gully to suit a 50mm push fit bottom outlet. It is supplied as standard with a lockdown perforated grating.

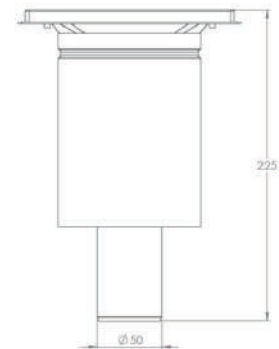
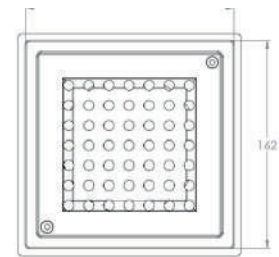
Features

- Grade 304 (1.4301) or 316 (1.4401) Stainless Steel to BS EN 10088
- Satin finish as standard

Untrapped



Trapped



Product Code	Height	Width	Depth	Outlet	Flow Rate	Description
KVT162/50	100	162	162	50	0.9 l/s	Fixed Height Untrapped
KVT162/50(T)	225	162	162	50	0.9 l/s	Fixed Height Trapped

BS EN1253
Loading Class K3

Specify Kent KVT162/50 Floor Gully. 162mm x 162mm, fixed height floor drain. Grade 304 stainless steel with a satin polish finish.



Barefoot



Pedestrian

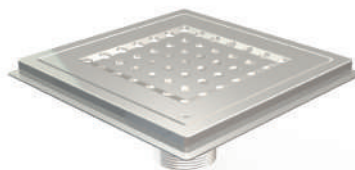
KENT KVT162/1.5" BSP – Commercial Gully (Pedestrian)

This is a modified version of our KVT162/110 Floor Gully to suit a 1.5" BSP or 2" BSP bottom outlet. It is supplied as standard with a lockdown perforated grating.

Features

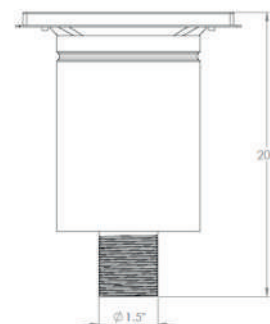
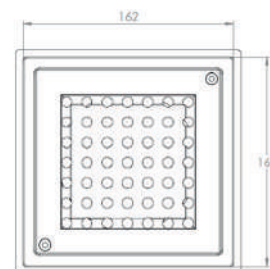
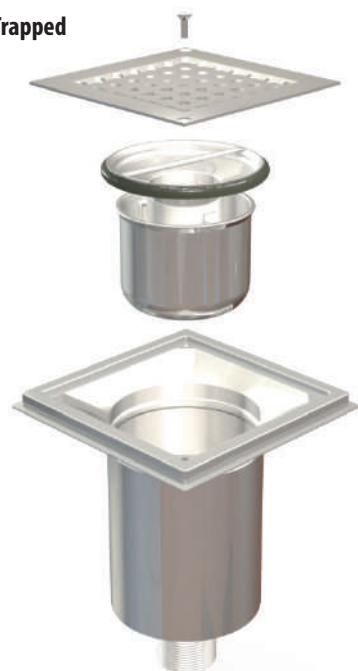
- Grade 304 (1.4301) or 316 (1.4401) Stainless Steel to BS EN 10088
- Satin finish as standard

Untrapped



1.5" BSP Socket is most commonly required
1.5" BSP Nipple option is shown here

Trapped



Product Code	Height	Width	Depth	Outlet	Flow Rate	Description
KVT162/1.5"BSP	75	162	162	1.5"BSP	0.9 l/s	Fixed Height Untrapped
KVT162/1.5"BSP(T)	200	162	162	1.5"BSP	0.9 l/s	Fixed Height Trapped
KVT162/2"BSP	75	162	162	2"BSP	1.1 l/s	Fixed Height Untrapped
KVT162/2"BSP(T)	200	162	162	2"BSP	1.1 l/s	Fixed Height Trapped

**BS EN1253
Loading Class K3**

Specify Kent KVT162/1.5" BSP Socket* Floor Gully. 162mm x 162mm, fixed height floor drain. Grade 304 stainless steel with a satin polish finish.

* note: socket outlets are standard, can be changed for nipple outlets when required



Barefoot



Pedestrian

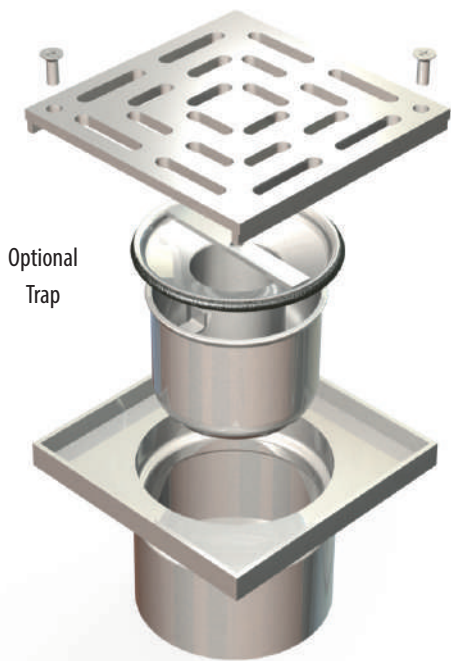


KENT KVT152 - Commercial Gully (High Footfall)

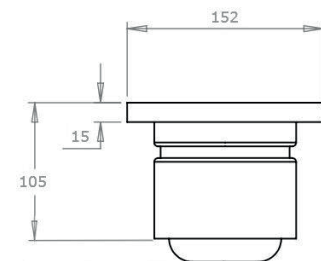
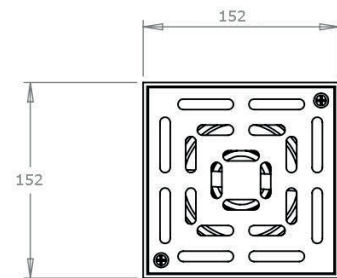
The KVT152 Gully is a square top stainless steel gully for tiled and poured floor areas. It has a heavier duty top than our KVT162 and can take heavier traffic, but this top is primarily 'chunky' for aesthetic reasons. It is supplied as standard with a slotted grating.

Features

- Grade 304 (1.4301) or 316 (1.4401) Stainless Steel to BS EN 10088
- 110mm diameter outlet
- Satin finish as standard
- Customised perforated patterns available
- Lock down as standard



Optional Trap



Pedestrian



Barefoot



Forklift

BS EN1253 Loading Class K3 (L15 or R50 or M125 variations available)

Product Code	Height	Width	Depth	Outlet	Flow Rate	Description
KVT152/110TP	105	152	152	110	1.4 l/s	Top Part Only Bottom Outlet 110mm
KVT152/110	200-250	152	152	110	1.4 l/s	Adjustable Height 2 Part Bottom Outlet - See Page 4
KHT152/50	140-185	152	152	50	0.9 l/s	Adjustable Height 2 Part Side Outlet 50mm - See Page 4
KHT152/1.5"BSP	140-185	152	152	1.5"BSP	0.9 l/s	Adjustable Height 2 Part Side Outlet 1.5"BSP - See Page 4
KFT110						110mm Trap with 50mm water seal

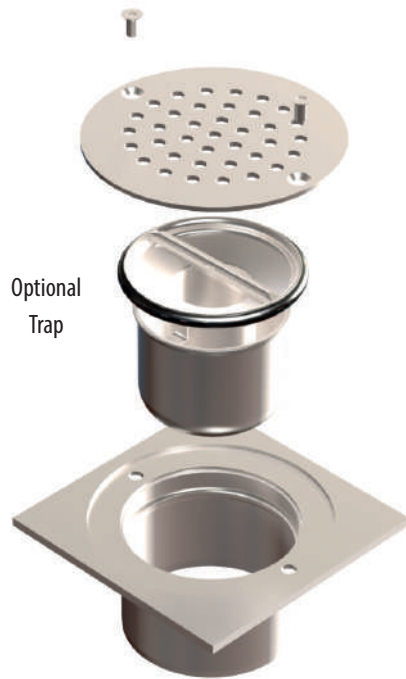
Specify Kent KVT152/110TP Floor Gully. 152 x 152mm, fixed height floor drain. Grade 304 stainless steel with a satin polish finish, supplied with KFT110 Trap.

KENT KVT170 (SQPF) - Commercial Gully (High Footfall)

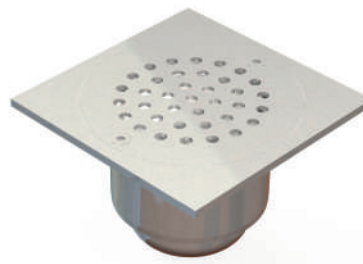
The KVT170 (SQPF) Gully is a Square Top stainless steel gully with Circular Perforated Grating for tiled and poured floor areas. It has a heavier duty top than our KVT162 and can take heavier traffic, but this top is primarily 'chunky' for aesthetic reasons. It is supplied as standard with a lockdown grating.

Features

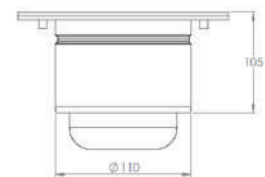
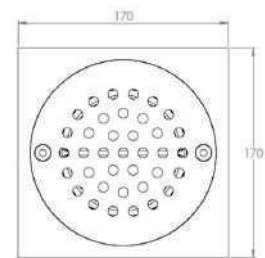
- Grade 304 (1.4301) or 316 (1.4401) Stainless Steel to BS EN 10088
- Satin finish as standard
- Customised perforated patterns available
- Lock down as standard



Optional Trap



Square Top with Perforated Cover



Pedestrian



Barefoot



Forklift

BS EN1253 Loading Class K3 (L15 or R50 or M125 variations available)

Product Code	Height	Width	Depth	Outlet	Flow Rate	Description
KVT170/110TP (SQPF)	105	170	170	110	1.4 l/s	Top Part Only Bottom Outlet 110mm
KVT170/110 (SQPF)	200-250	170	170	110	1.4 l/s	Adjustable Height 2 Part Bottom Outlet - See Page 4
KHT170/50 (SQPF)	140-185	170	170	50	0.9 l/s	Adjustable Height 2 Part Side Outlet 50mm - See Page 4
KHT170/1.5" (SQPF)	140-185	170	170	1.5"	0.9 l/s	Adjustable Height 2 Part Side Outlet 1.5" - See Page 4
Trap						110mm Trap with 50mm water seal

Specify Kent KVT170/110TP (SQPF) Floor Gully. 170mm x 170mm, fixed height floor drain. Grade 304 stainless steel with a satin polish finish, supplied with KFT110 Trap.



KENT KVT170 (RDPF) - Commercial Gully (High Footfall)

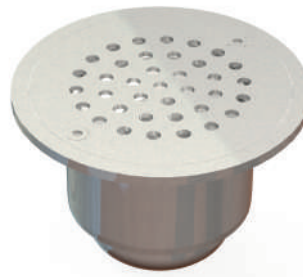
The KVT170 (RDPF) Gully is a Round Top stainless steel gully with Circular Perforated Grating for poured floor areas. It has a heavier duty top than our KVT162 and can take heavier traffic, but this top is primarily 'chunky' for aesthetic reasons. It is supplied as standard with a lockdown grating.

Features

- Grade 304 (1.4301) or 316 (1.4401) Stainless Steel to BS EN 10088
- Satin finish as standard
- Customised perforated patterns available
- Lock down as standard



Optional Trap



Round Top with Perforated Cover



Pedestrian



Barefoot



Forklift

BS EN1253 Loading Class K3 (L15 or R50 or M125 variations available)

Product Code	Height	Width	Depth	Outlet	Flow Rate	Description
KVT170/110TP (RDPF)	105	170	170	110	1.4 l/s	Top Part Only Bottom Outlet 110mm
KVT170/110 (RDPF)	200-250	170	170	110	1.4 l/s	Adjustable Height 2 Part Bottom Outlet - See Page 4
KHT170/50(RDPF)	140-185	170	170	50	0.9 l/s	Adjustable Height 2 Part Side Outlet 50mm - See Page 4
KHT170/1.5"(RDPF)	140-185	170	170	1.5"	0.9 l/s	Adjustable Height 2 Part Side Outlet 1.5" - See Page 4
Trap						110mm Trap with 50mm water seal

Specify Kent KVT170/110TP (RDPF) Floor Gully. 170mm diameter, fixed height floor drain. Grade 304 stainless steel with a satin polish finish, supplied with KFT110 Trap.

KENT KVT170 (SQSL) - Commercial Gully (High Footfall)

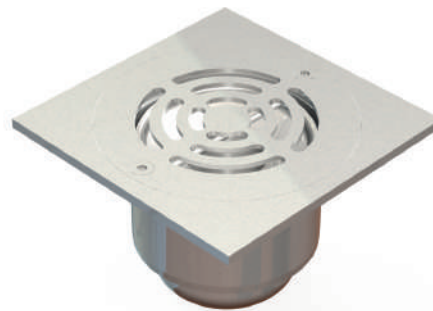
The KVT170 (SQSL) Gully is a Square Top stainless steel gully with Curved Slotted Grating for tiled and poured floor areas. It has a heavier duty top than our KVT162 and can take heavier traffic, but this top is primarily 'chunky' for aesthetic reasons. It is supplied as standard with a lockdown grating.

Features

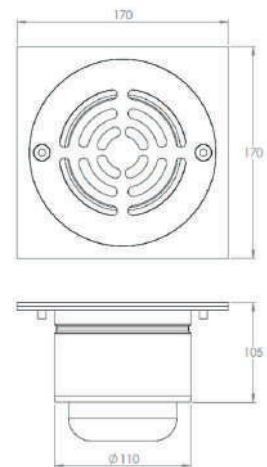
- Grade 304 (1.4301) or 316 (1.4401) Stainless Steel to BS EN 10088
- 110mm diameter outlet
- Satin finish as standard
- Customised perforated patterns available
- Lock down as standard



Optional Trap



Square Top with Slotted Cover



Pedestrian



Barefoot



Forklift

BS EN1253 Loading Class K3 (L15 or R50 or M125 variations available)

Product Code	Height	Width	Depth	Outlet	Flow Rate	Description
KVT170/110TP (SQSL)	105	170	170	110	1.4 l/s	Top Part Only Bottom Outlet 110mm
KVT170/110 (SQSL)	200-250	170	170	110	1.4 l/s	Adjustable Height 2 Part Bottom Outlet - See Page 4
KHT170/50(SQSL)	140-185	170	170	50	0.9 l/s	Adjustable Height 2 Part Side Outlet 50mm - See Page 4
KHT170/1.5"(SQSL)	140-185	170	170	1.5"	0.9 l/s	Adjustable Height 2 Part Side Outlet 1.5" - See Page 4
Trap						110mm Trap with 50mm water seal

Specify Kent KVT170/110TP (SQSL) Floor Gully. 170mm x 170mm, fixed height floor drain. Grade 304 stainless steel with a satin polish finish, supplied with KFT110 Trap.



KENT KVT170 (RDSL) - Commercial Gully (High Footfall)

The KVT170 (SQSL) Gully is a Round Top stainless steel gully with Curved Slotted Grating for tiled and poured floor areas. It has a heavier duty top than our KVT162 and can take heavier traffic, but this top is primarily 'chunky' for aesthetic reasons. It is supplied as standard with a lockdown grating.

Features

- Grade 304 (1.4301) or 316 (1.4401) Stainless Steel to BS EN 10088
- 110mm diameter outlet
- Satin finish as standard
- Customised perforated patterns available
- Lock down as standard



Pedestrian



Barefoot



Forklift

BS EN1253 Loading Class K3 (L15 or R50 or M125 variations available)

Product Code	Height	Width	Depth	Outlet	Flow Rate	Description
KVT170/110TP (RDSL)	105	170	170	110	1.4 l/s	Top Part Only Bottom Outlet 110mm
KVT170/110 (RDSL)	200-250	170	170	110	1.4 l/s	Adjustable Height 2 Part Bottom Outlet - See Page 4
KHT170/50(RDSL)	140-185	170	170	50	0.9 l/s	Adjustable Height 2 Part Side Outlet 50mm - See Page 4
KHT170/1.5"(RDSL)	140-185	170	170	1.5"	0.9 l/s	Adjustable Height 2 Part Side Outlet 1.5" - See Page 4
Trap						110mm Trap with 50mm water seal

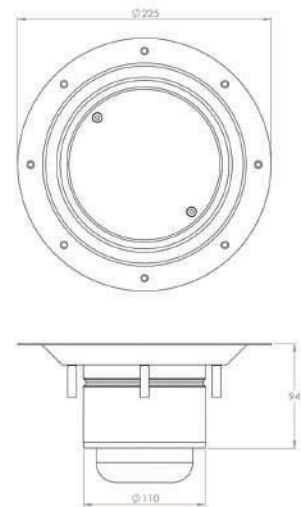
Specify Kent KVT170/110TP (RDSL) Floor Gully. 170mm diameter, fixed height floor drain. Grade 304 stainless steel with a satin polish finish, supplied with KFT110 Trap.

KENT KVV225 - Commercial Gully (Vinyl Floor)

The KVV225 Plain Top Gully is a round top stainless steel gully for vinyl and flexible floor areas. It is supplied as standard with a lockdown plain top grating.

Features

- Grade 304 (1.4301) or 316 (1.4401) Stainless Steel to BS EN 10088
- Satin finish as standard
- Ex stock
- Lock down as standard



Barefoot



Pedestrian

BS EN1253 Class K3

Product Code	Height	Diameter	Outlet	Flow Rate	Description
KVV225/110TP	94	225	110	1.4 l/s	Top Part Only Bottom Outlet 110mm
KVV225/110	200-250	225	110	1.4 l/s	Adjustable Height 2 Part Bottom Outlet - See Page 4
KHV225/1.5"BSP	140-185	225	1.5"BSP	0.9 l/s	Adjustable Height 2 Part Side Outlet 1.5"BSP - See Page 4
KHV225/50	140-185	225	1.5"BSP	0.9 l/s	Adjustable Height 2 Part Side Outlet 50mm - See Page 4
KFT110					110mm Trap with 50mm water seal

Specify Kent KVV225/110TP Floor Gully. 225mm diameter, fixed height floor drain. Grade 304 stainless steel with a satin polish finish, supplied with KFT110 Trap.

KENT KVV225/50 - Commercial Gully (Vinyl Floor)

This is a modified version of our KVV225/110 Floor Gully to suit 50mm push fit bottom push fit outlets. Here we have 50mm (KVV225/50) bottom outlets. It is supplied as standard with a lockdown plain top grating.

Features

- Grade 304 (1.4301) or 316 (1.4401) Stainless Steel to BS EN 10088
- Satin finish as standard
- Lock down as standard

Untrapped



Trapped



BS EN1253 Class K3

Product Code	Height	Diameter	Outlet	Flow Rate	Description
KVV225/50	100	225	50	0.9 l/s	Fixed Height Untrapped
KVV225/50(T)	225	225	50	0.9 l/s	Fixed Height Trapped

Specify Kent KVV225/50 Floor Gully. 225mm diameter, fixed height floor drain. Grade 304 stainless steel with a satin polish finish.

KENT KVV225/1.5" BSP - Commercial Gully (Vinyl Floor)

This is a modified version of our KVV225/110 Floor Gully to suit a 1 1/2" BSP or 2" BSP bottom outlet. It is supplied as standard with a lockdown plain top grating.

Features

- Grade 304 (1.4301) or 316 (1.4401) Stainless Steel to BS EN 10088
- Satin finish as standard
- Lock down as standard

Untrapped



1.5" BSP Socket is most commonly required
1.5" BSP Nipple option is shown here

Trapped



BS EN1253 Class K3

Barefoot

Pedestrian

Product Code	Height	Diameter	Outlet	Flow Rate	Description
KVV225/1.5" BSP	75	225	1.5" BSP	0.9 l/s	Fixed Height Untrapped
KVV225/1.5" BSP(T)	200	225	1.5" BSP	0.9 l/s	Fixed Height Trapped
KVV225/2" BSP	75	225	2" BSP	1.1 l/s	Fixed Height Untrapped
KVV225/2" BSP(T)	200	225	2" BSP	1.1 l/s	Fixed Height Trapped

Specify Kent KVV225/1.5" BSP Socket* Floor Gully. 225mm diameter, fixed height floor drain. Grade 304 stainless steel with a satin polish finish.

*note: socket outlets are standard, can be changed for nipple outlets when required



KENT KVV225 (PF) - Commercial Gully (Vinyl Floor)

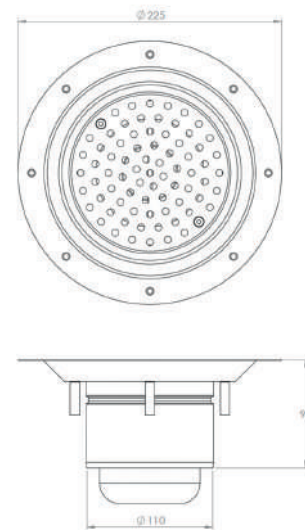
The KVV225 (PF) Perforated Gully is a round top stainless steel gully for vinyl and flexible floor areas. It is a perforated top version of our standard KVV225. It is supplied as standard with a lockdown perforated top grating.

Features

- Grade 304 (1.4301) or 316 (1.4401) Stainless Steel to BS EN 10088
- Satin finish as standard
- Lock down as standard



Optional Trap



Barefoot



Pedestrian

BS EN1253 Class K3

Product Code	Height	Diameter	Outlet	Flow Rate	Description
KVV225/110TP (PF)	94	225	110	1.4 l/s	Top Part Only Bottom Outlet 110mm
KVV225/110 (PF)	200-250	225	110	1.4 l/s	Adjustable Height 2 Part Bottom Outlet - See Page 4
KHV225/1.5"BSP (PF)	140-185	225	1.5"BSP	0.9 l/s	Adjustable Height 2 Part Side Outlet 1.5"BSP - See Page 4
KHV225/50 (PF)	140-185	225	1.5"BSP	0.9 l/s	Adjustable Height 2 Part Side Outlet 50mm - See Page 4
KFT110					110mm Trap with 50mm water seal

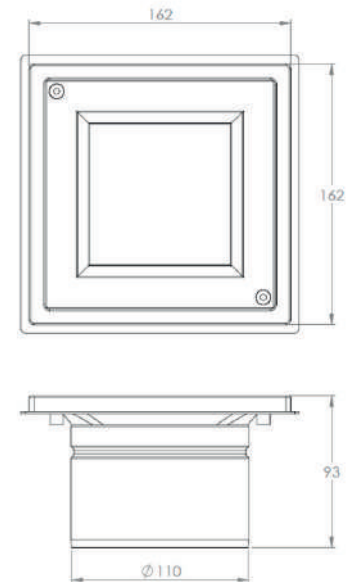
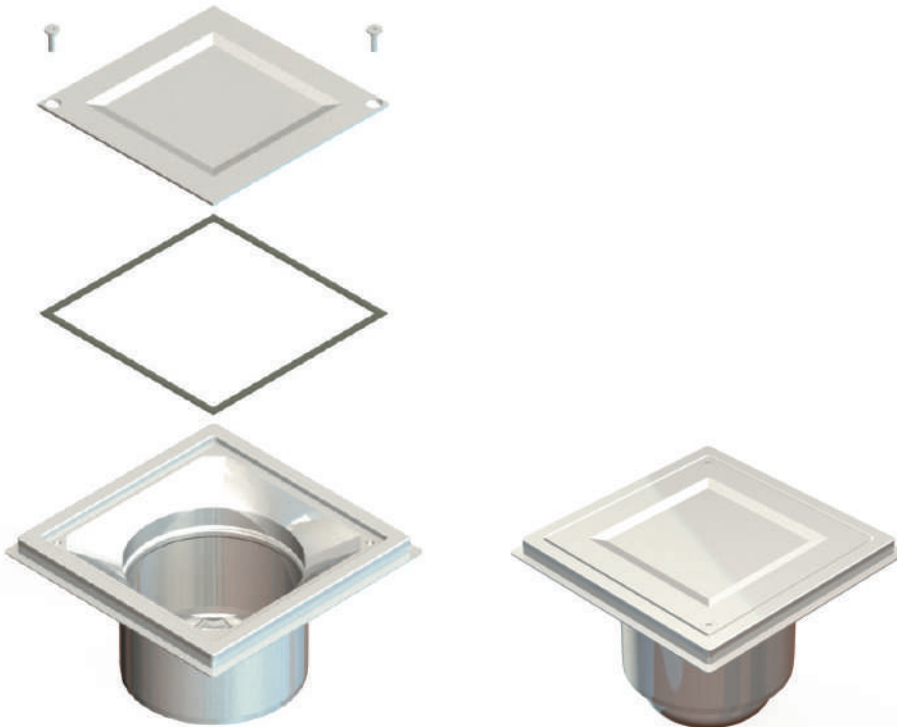
Specify Kent KVV225/110TP (PF) Floor Gully. 225mm diameter, fixed height floor drain. Grade 304 stainless steel with a satin polish finish, supplied with KFT110 Trap.

KENT KR161 Commercial Rodding Eye (Pedestrian)

The KR161/110 Rodding Eye is a square top stainless steel rodding eye, or cleanout for tiled and poured floor areas. It matches our KVT162 range of gullies but has a blank top with a neoprene gasket below a lockdown grating.

Features

- Grade 304 (1.4301) or 316 (1.4401) Stainless Steel to BS EN 10088
- 110mm diameter outlet
- Satin finish as standard
- Ex stock
- Lock down as standard



Barefoot



Pedestrian

BS EN1253 Class K3

Product Code	Height	Width	Depth	Outlet	Sealed	Description
KR161/110TP	93	162	162	110	x 1	Top Part Only

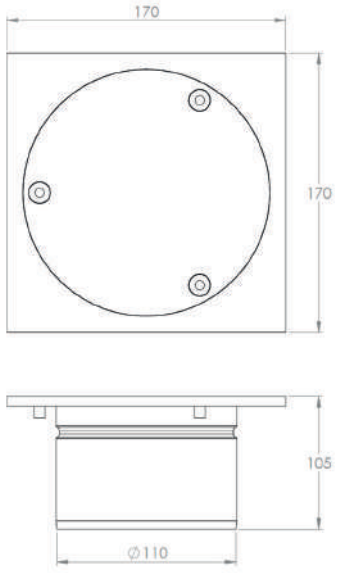
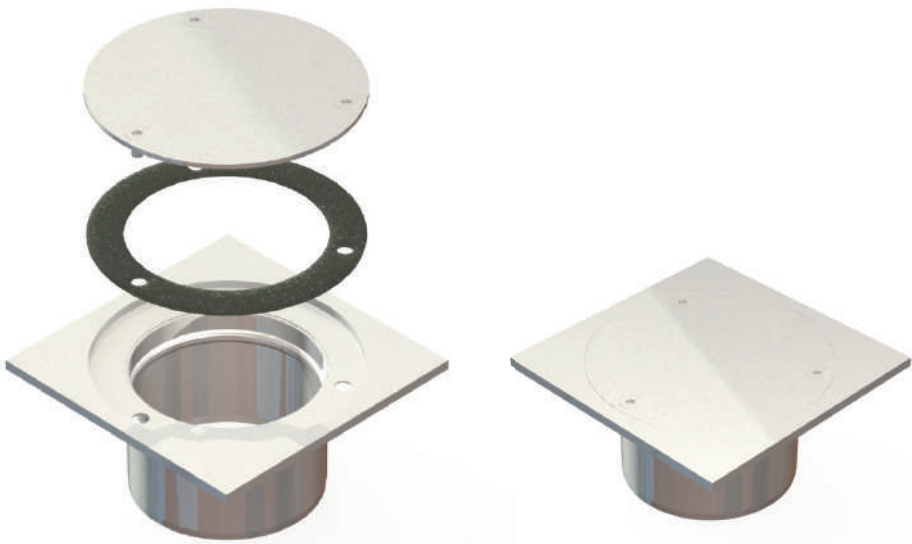
Specify Kent KR161/110TP Rodding Eye. 162mm x 162mm, single sealed, Grade 304 stainless steel with a satin polish finish.

KENT KRE170TP (SQ) - Commercial Rodding Eye (High Footfall)

The KRE170TP (SQ) Rodding Eye is a square top stainless steel rodding eye, or cleanout, for tiled and poured floor areas. It matches our KVT170 range of gullies but has a blank top. This rodding eye is single sealed by a neoprene gasket. The Top Part can be complemented with a KVBO gully body which will allow adjustable height. It has a heavier duty top than our KR161 Rodding Eye and also has a larger more positive seal.

Features

- Grade 304 (1.4301) or 316 (1.4401) Stainless Steel to BS EN 10088
- 110mm diameter outlet
- Satin finish as standard
- Ex stock
- Lock down as standard



Barefoot



Forklift



Pedestrian

BS EN1253 Loading Class K3 (L15 or R50 or M125 variations available)

Product Code	Height	Width	Depth	Outlet	Sealed	Description
KRE170/110TP(SQ)	105	170	170	110	x 1	Top Part Only
KRE170/110(SQ)	200-250	170	170	110	x 1	Adjustable Height 2 Part- See Page 4

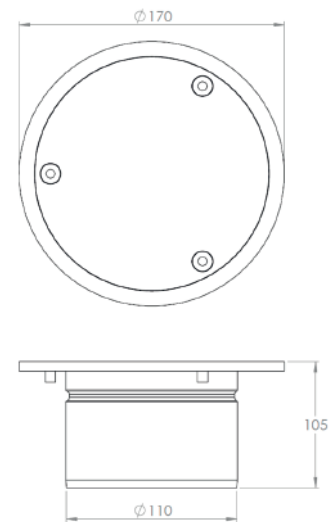
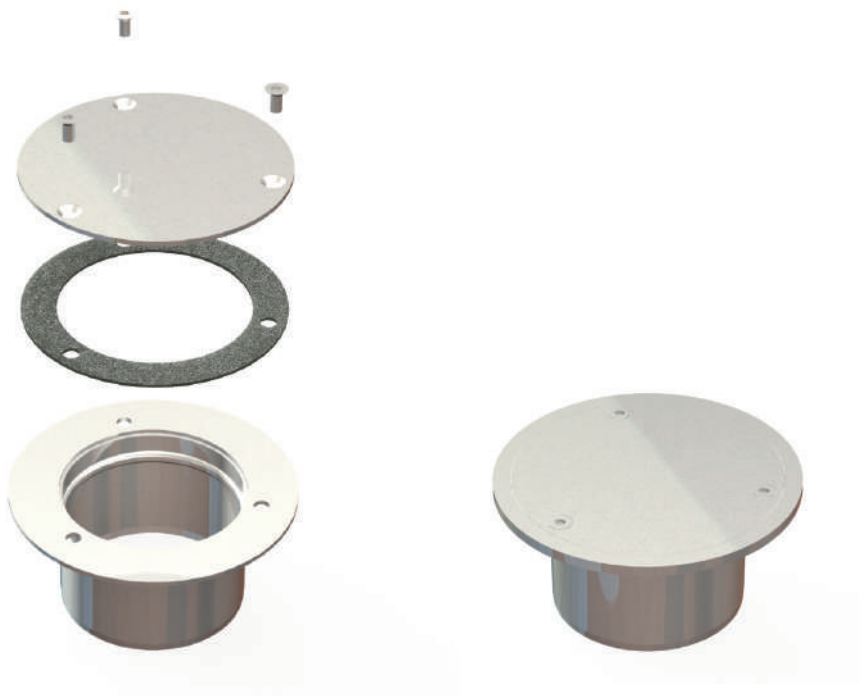
Specify Kent KRE170/110TP (SQ) Rodding Eye. 170mm x 170mm, single sealed, Grade 304 stainless steel with a satin polish finish.

KENT KRE170TP (RD) - Commercial Rodding Eye (High Footfall)

The KRE170TP (RD) Rodding Eye is a Round top stainless steel rodding eye, or cleanout for poured floor areas. It matches our KVT170 range of gullies but has a blank top. This rodding eye is single sealed by a neoprene gasket. The Top Part can be complemented with a KVBO gully body which will allow adjustable height. It has a heavier duty top than our KR161 Rodding Eye and also has a larger more positive seal.

Features

- Grade 304 (1.4301) or 316 (1.4401) Stainless Steel to BS EN 10088
- 110mm diameter outlet
- Satin finish as standard
- Ex stock
- Lock down as standard



Barefoot



Forklift



Pedestrian

BS EN1253 Loading Class K3 (L15 or R50 or M125 variations available)

Product Code	Height	Width	Depth	Outlet	Sealed	Description
KRE170/110TP(SQ)	105	170	170	110	x 1	Top Part Only
KRE170/110(SQ)	200-250	170	170	110	x 1	Adjustable Height 2 Part- See Page 4

Specify Kent KRE170/110TP (RD) Rodding Eye. 170mm diameter, single sealed, Grade 304 stainless steel with a satin polish finish.

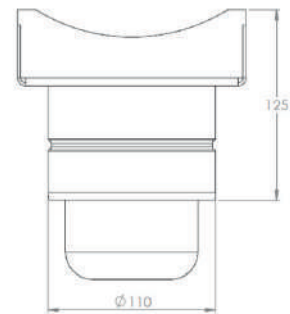
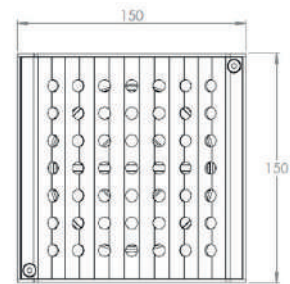
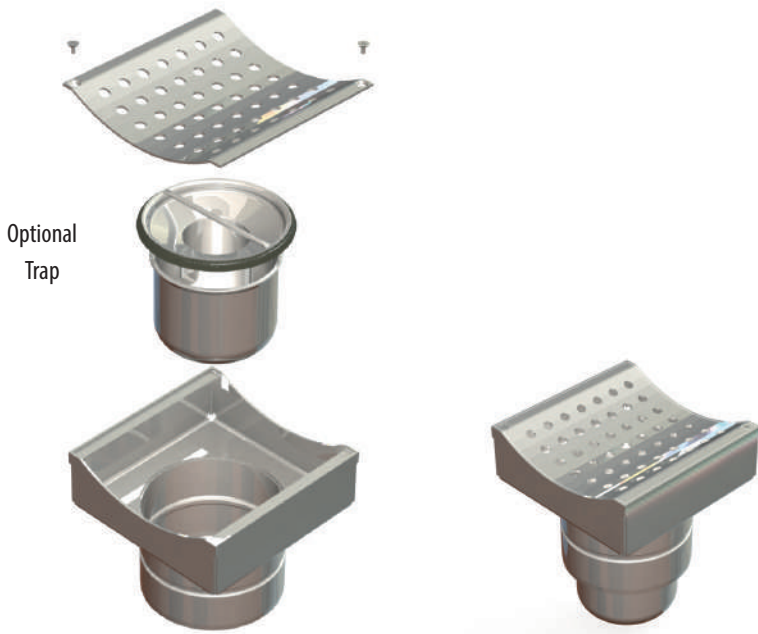
KENT KDTG150 - Commercial Gully (Dished Channel)

The KDTG150 is a tile profile gully designed for insertion in a channel formed from dished tiles. For Areas which require height adjustment it is complemented by the KVBO Body. Also when a side outlet version is needed it is complemented by a KHBO body - see below.

This 150mm x 150mm top is suited to the Dorset Wooliscroft Channel Tile but other channel tiles can be matched on request.

Features

- Grade 304 (1.4301) or 316 (1.4401) Stainless Steel to BS EN 10088
- Satin finish as standard
- Made to order - contractor to supply tile
- Lock down as standard



Barefoot



Pedestrian

BS EN1253 Class K3

Product Code	Height	Width	Depth	Outlet	Flow Rate	Description
KDTG150/110TP	125	150	150	110	1.4 l/s	Top Part Only Bottom Outlet 110mm
KDTG150/110	220-275	150	150	110	1.4 l/s	Adjustable Height 2 Part Bottom Outlet - See Page 4
KDTG150/50	160-205	150	150	50	0.9 l/s	Adjustable Height 2 Part Side Outlet 50mm- See Page 4
KDTG150/1.5"BSP	140-185	162	162	1.5"BSP	0.9 l/s	Adjustable Height 2 Part Side Outlet 1.5"BSP- See Page 4
KFT110						110mm Trap with 50mm water seal

Specify Kent KDTG150/110TP Floor Gully. 150mm x 150mm, fixed height floor drain. Grade 304 stainless steel with a satin polish finish, supplied with KFT110 Trap.

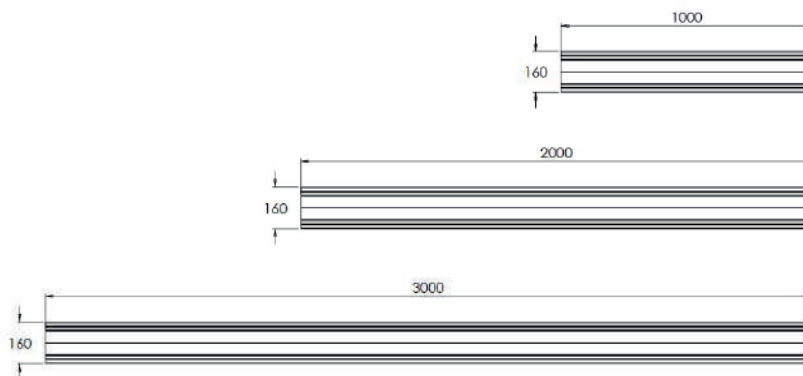
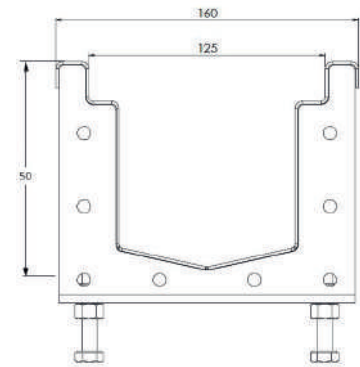
KENT COMMERCIAL CHANNEL RANGE - STANDARD CHANNEL

A low cost Stainless Steel Drainage Channel for all floor finishes. In grade 304 stainless as standard, size can be customised to suit projects. Typically used in Leisure Centres with Perforated or Heelmesh grating. Other decorative grating covers are also available. A variety of grates suitable for heel safe and barefoot are readily available.

Suits Marble, Ceramic Tiles, Terrazzo, Concrete, Resin, Wood & Parquet Flooring. The trapped 110mm bottom outlet gives a 1.4 litre per second flow rate.

Features

- 125mm wide Body as standard
- 160mm Outside Edge to Outside Edge
- Trapped 110mm spigot outlet as standard
- Shallow 50mm start depth
- Concrete ties as standard
- Levelling Bolts as standard
- Polished top edge
- Variety of decorative gratings available
- Made to length – reduced joints
- Short lead times



Product Code	Opening Width	Depth	Outside Edge Width
KCRC125	125mm	50mm	160mm

Applications

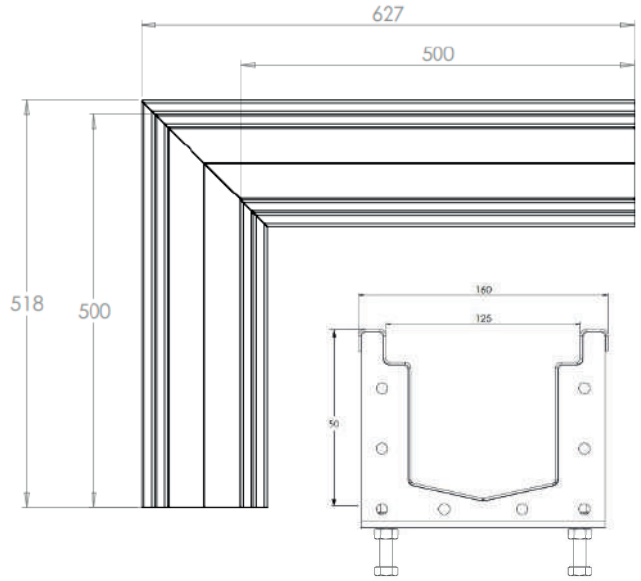
- Pools
- Gyms
- Leisure Centres

Specify: Kent Commercial Range Channel KCRC125 ; 125mm wide; mm length with Central Trapped Spigot outlet; Grade 304 Stainless steel; Grating will be Kent Commercial Perforated Grating Type; Load Class A

(amend underlined words to suit project)

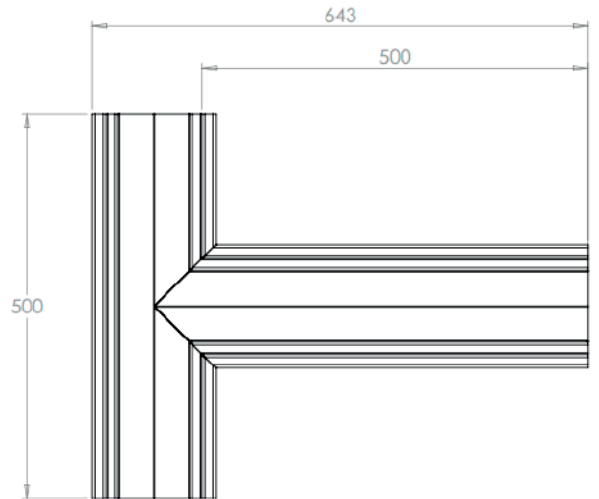
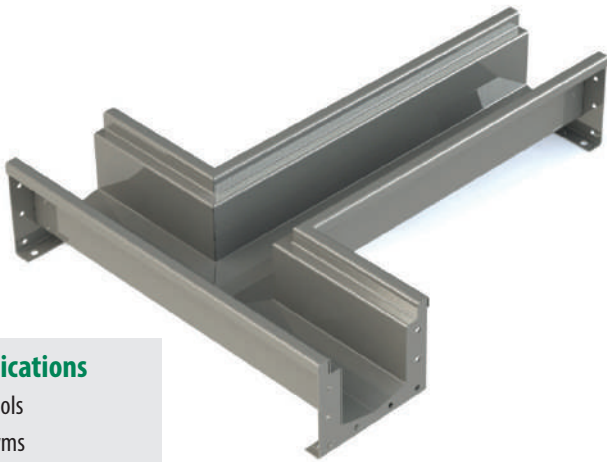
KENT COMMERCIAL CHANNEL RANGE - KCRC(CS)125/KCRC(TS)125

Corner Section KCRC(CS)125



Specify: Kent Commercial Range Channel KCRC(CS)125 Corner Section ; 125mm wide; ___ mm length; Grade 304 Stainless steel; Grating will be Kent Commercial Perforated Grating Type; Load Class A

T-Section KCRC(TS)125



Applications

- Pools
- Gyms
- Leisure Centres

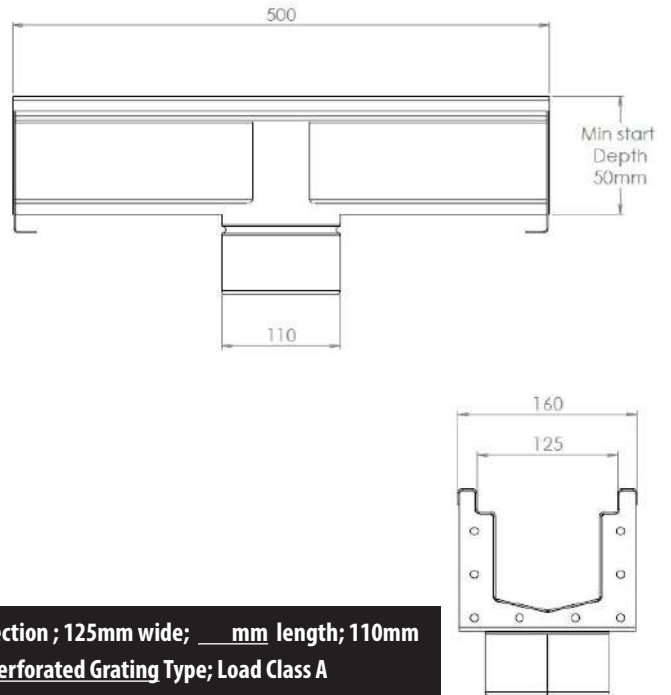
Product Code	Opening Width	Depth	Outside Edge Width
KCRC(CS)125	125mm	50mm	160mm
KCRC(TS)125	125mm	50mm	160mm

Specify: Kent Commercial Range Channel KCRC(TS)125 T Section ; 125mm wide; ___ mm length; Grade 304 Stainless steel; Grating will be Kent Commercial Perforated Grating Type; Load Class A

(amend underlined words to suit project)

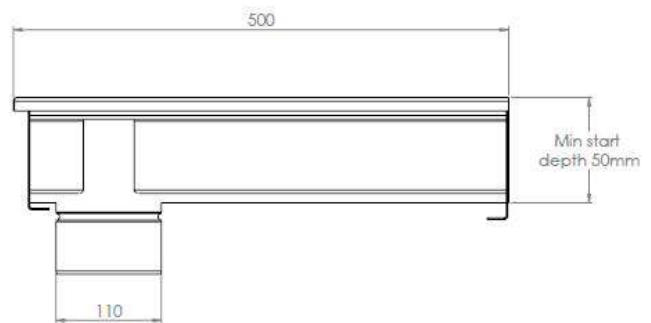
KENT COMMERCIAL CHANNEL RANGE - KCRC(CO)125/ KCRC(EO)125

Central Outlet Section KCRC(CO)125



Specify: Kent Commercial Range Channel KCRC(CO)125 Central Outlet Section ; 125mm wide; mm length; 110mm Diameter Grade 304 Stainless steel; Grating will be Kent Commercial Perforated Grating Type; Load Class A

End outlet Section KCRC(EO)125



Product Code	Opening Width	Depth	Outside Edge Width
KCRC(CO)125	125mm	50mm	160mm
KCRC(EO)125	125mm	50mm	160mm

Applications

- Pools
- Gyms
- Leisure Centres

Specify: Kent Commercial Range Channel KCRC(EO)125 End Outlet Section ; 125mm wide; mm 110mm Diameter Grade 304 Stainless steel; Grating will be Kent Commercial Perforated Grating Type; Load Class A

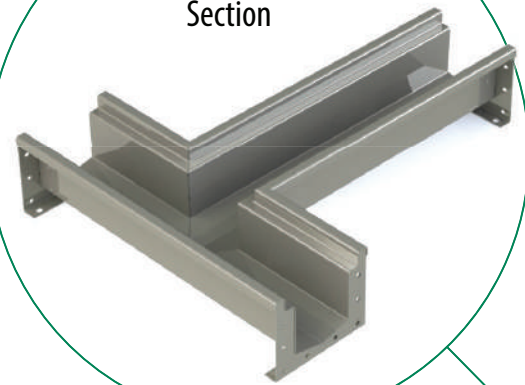
(amend underlined words to suit project)

KENT CHANNEL SYSTEM

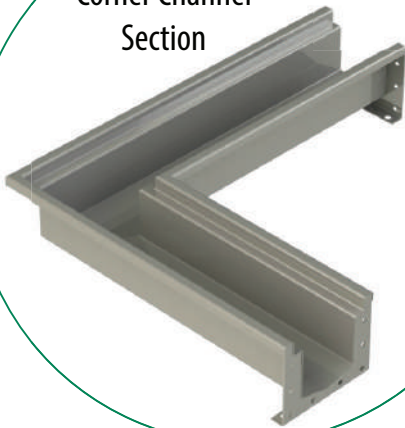
The Kent Commercial Channel range is a modular channel system made from 7 elements that will suit almost all commercial applications and can be delivered in a short lead time. The standard range has a constant invert of 50mm, but an in-built fall of 1:150 can be requested for production.

Fully compliant with EN1253. This channel is mostly used indoors and is supplied in grade 304 stainless (1.4301) – but grade 316L (1.4404) stainless is available for harsher environments on request (e.g. areas exposed to chlorine contamination).

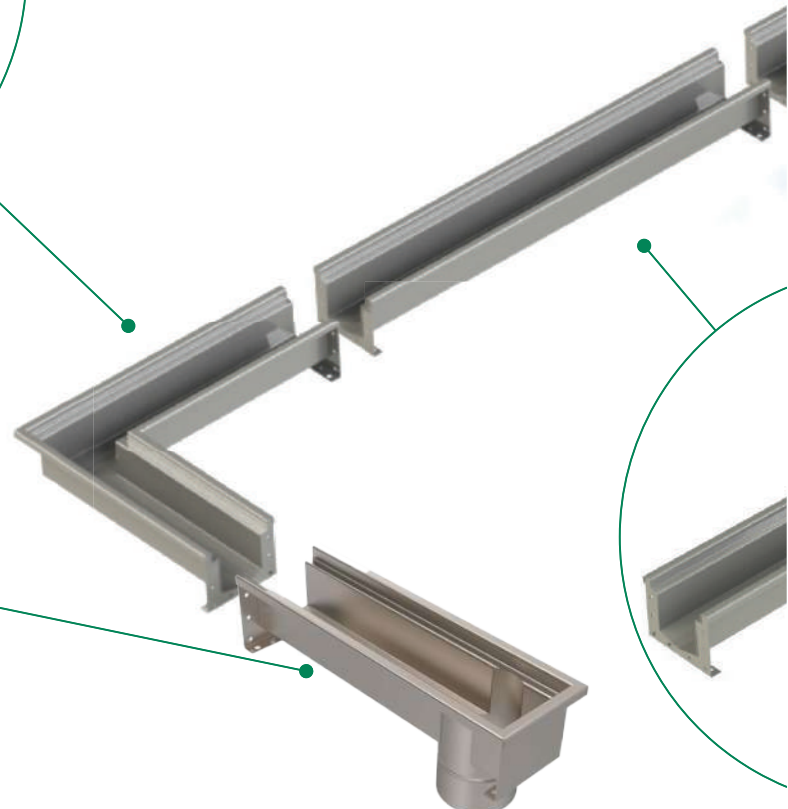
Tee Channel
Section



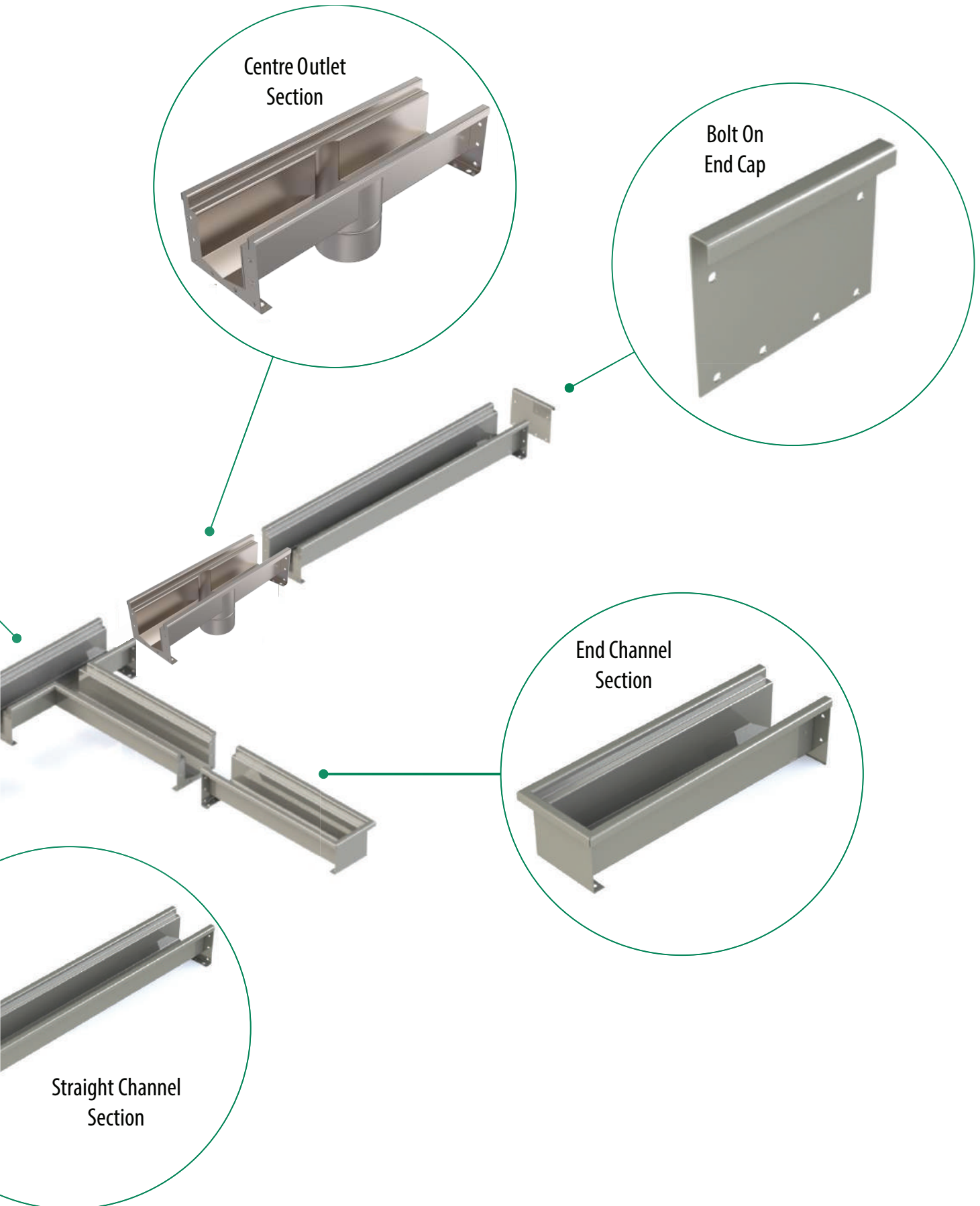
Corner Channel
Section



End Outlet
Section



KENT CHANNEL SYSTEM

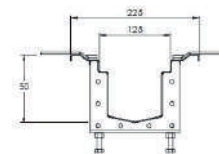
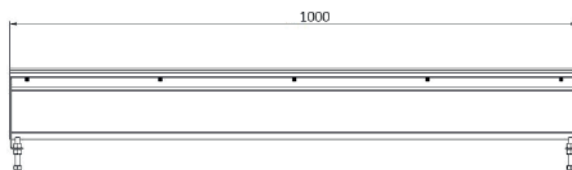
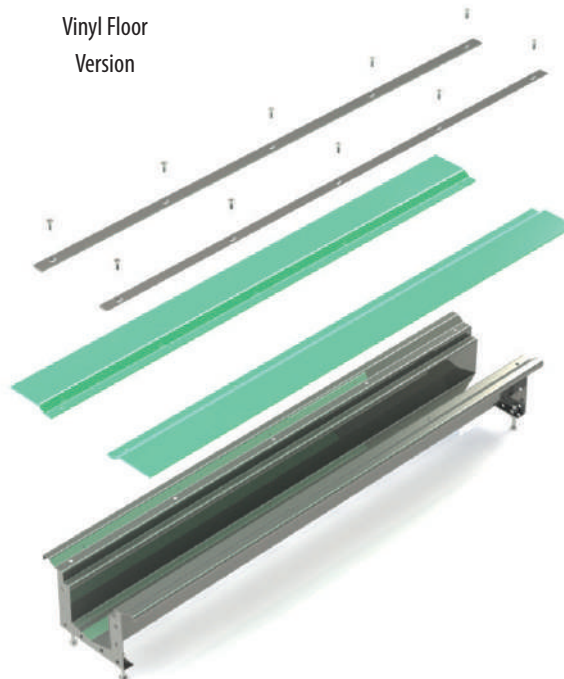


KENT COMMERCIAL CHANNEL RANGE - VINYL CHANNEL

A low cost Stainless Steel Drainage Channel for all vinyl and flexible floor finishes. In grade 304 stainless as standard, size can be customised to suit projects. Typically used in Leisure Centres with Perforated or Heelmesh grating. Other decorative grating covers are also available. A variety of grates suitable for heel safe and barefoot are readily available. The trapped 110mm bottom outlet gives a 1.4litre per second flow rate.

Features

- 125mm wide Body as standard
- 285mm Outside Edge to Outside Edge
- Trapped 110mm spigot outlet as standard
- Shallow 50mm start depth
- Concrete ties as standard
- Levelling Bolts as standard
- Polished top edge
- Variety of decorative gratings available
- Made to length – reduced joints
- Short lead times



Product Code	Opening Width	Depth	Outside Edge Width
KCRC125 (V)	125mm	50mm	285mm

Applications

- Pools
- Gyms
- Leisure Centres

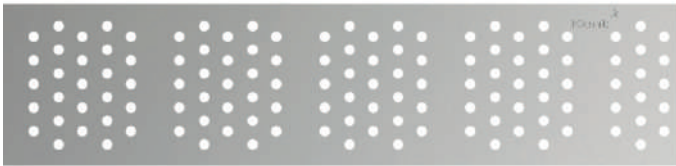
Specify: Kent Commercial Range Channel KCRC125 (V) ; 125mm wide; mm length with Central Trapped Spigot outlet; Grade 304 Stainless steel; Grating will be Kent Commercial Perforated Grating Type; Load Class A

(amend underlined words to suit project)

KENT COMMERCIAL CHANNEL RANGE

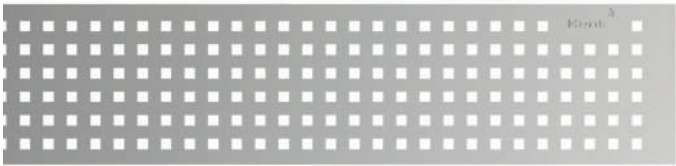
PERFORATED GRATING OPTIONS

FACTA Loading Class A



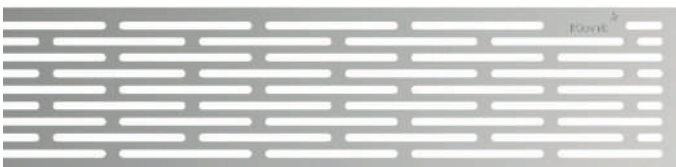
Option 1 - Kent Commercial Perforated Grating KCPG125

Our most cost effective grating with 6mm perforated circular holes
Specify: Kent Commercial Perforated Grating KCPG125;
grade 304 stainless steel



Option 2 - Kent Square Perforated Grating KSPG125

Laser cut perforated grating with 6mm perforated square holes
Specify: Kent Square Perforated Grating KSPG125; grade 304 stainless steel



Option 3 - Kent Interceptor Grating KIRG125

Laser cut perforated grating with 6mm staggered slots
Specify: Kent Interceptor Grating KIRG125; grade 304 stainless steel



Option 4 - Kent Customised / Bespoke Grating KBG125

Laser cut perforated grating with 6mm wide word shapes
Specify: Kent Customised/Bespoke Grating KBG125; grade 304 stainless steel

MESH GRATING OPTIONS

FACTA Loading Class A



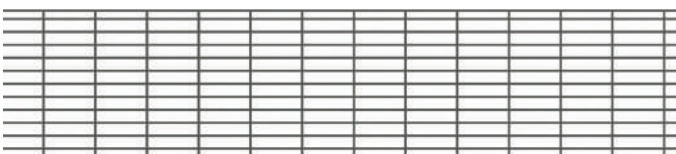
Option 5 - Kent Wedge Heelmesh Grating KWHMG125

5mm Wedge Bar with 5mm gap for a high end finish. Cross bars are discreet and almost invisible. Suitable for pedestrian and barefoot areas.
Specify: Kent Wedge Heelmesh Grating KWHMG125; grade 304 stainless steel



Option 6 - Kent Pedestrian Heelmesh Grating (6mm) KPHMG125 (6mm)

Plain Mesh Grating with an electropolished finish. 2mm bars at 8mm centres giving a 6mm gap. Suitable for pedestrian and barefoot areas.
Specify: Kent Pedestrian Heelmesh Grating KPHMG125(6mm); grade 304 stainless steel



Option 7 - Kent Pedestrian Heelmesh Grating (9mm) KPHMG125 (9mm)

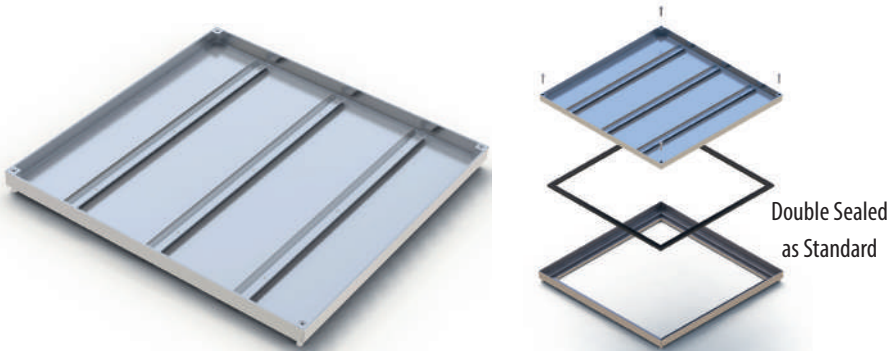
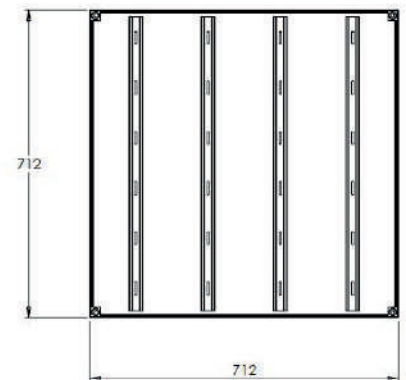
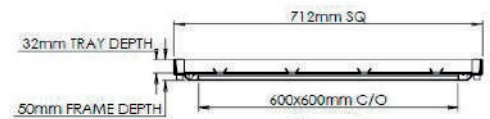
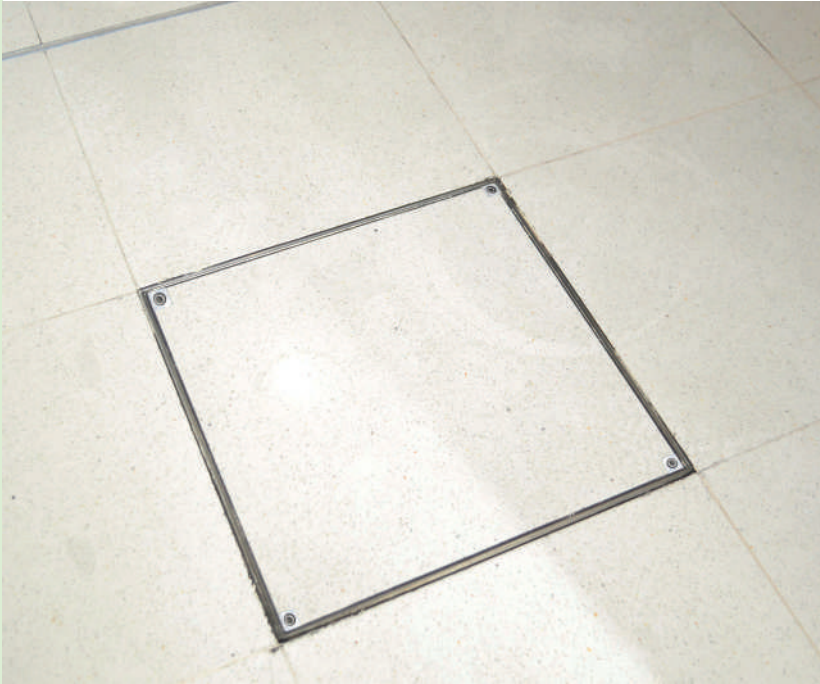
Plain Mesh Grating with an electropolished finish. 2mm bars at 11mm centres giving a 9mm gap. Suitable for pedestrian areas.
Specify: Kent Pedestrian Heelmesh Grating KPHMG125(9mm); grade 304 stainless steel

KENT COMMERCIAL RANGE MANHOLE – KCRM 600/600

A low cost Stainless Steel Recessed Manhole for a variety of finishes. High specification (double seal, lockdown). In grade 304 stainless as standard. Stock items or short lead time on standard sizes.

Features

- Lockdown as standard
- Double Seal as standard
- 4 hex head lockdown points
- Shallow profile
- Discrete polished top edge
- Screed grip mesh as standard
- Available for next day delivery



BS EN1253 Class K3

FACTA Loading Class A



Barefoot



Pedestrian

Product Code	Clear Opening	Visible Frame Size	Depth
KCRM300/300/32	300mm x 300mm	412mm x 412mm	32mm
KCRM450/450/32	450mm x 450mm	562mm x 562mm	32mm
KCRM600/450/32	600mm x 450mm	712mm x 562mm	32mm
KCRM600/600/32	600mm x 600mm	712mm x 712mm	32mm
KCRM750/600/32	750mm x 600mm	862mm x 712mm	32mm
KCRM750/750/32	750mm x 750mm	862mm x 862mm	32mm

Specify: Kent Commercial Range Manhole KCRM600/600; 600mm x 600mm clear opening; 32mm Tray depth; Double Seal; Grade 304 Stainless Steel; Loading FACTA A / BS EN1253 Class K3

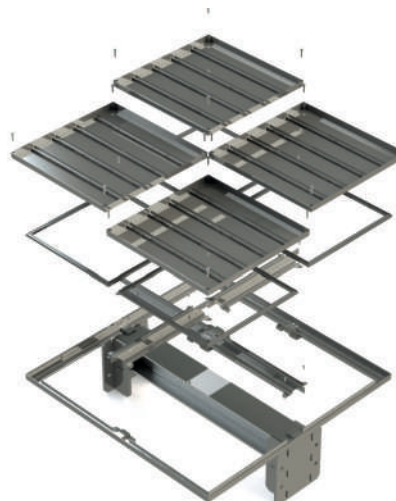
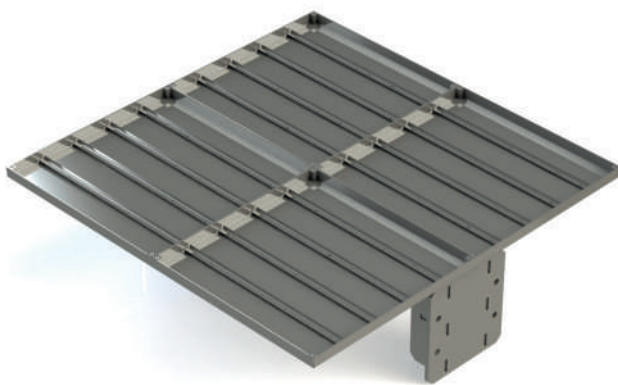
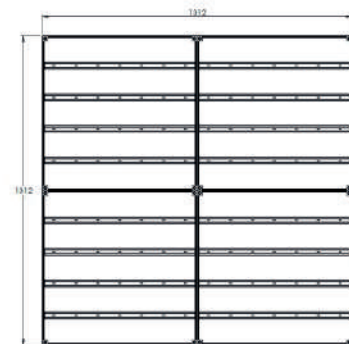
(amend underlined words to suit project)

KENT COMMERCIAL RANGE MANHOLE – KCRM 1200/1200/32

A low cost Stainless Steel Recessed Multitray Manhole for a variety of finishes. The trays are supported by a support beam which is installed below the trays. This product is suitable for internal pedestrian areas or High specification (double seal, lockdown). In grade 304 stainless as standard.

Features

- Lockdown as standard
- Double Seal as standard
- 4 hex head lockdown points
- Shallow profile
- Discrete polished top edge
- Screed grip mesh as standard



BS EN1253 Class K3

FACTA
Loading Class A



Barefoot



Pedestrian

Product Code	Clear Opening	Visible Frame Size	Depth
KCRM1200/600/32	1200mm x 600mm	1312mm x 712mm	32mm
KCRM1200/1200/32	1200mm x 1200mm	1312mm x 1312mm	32mm

Specify: Kent Commercial Range Manhole KCRM1200/1200; 1200mm x 1200mm clear opening; 32mm Tray depth; Double Seal; Grade 304 Stainless Steel; Loading FACTA A / BS EN1253 Class K3

(amend underlined words to suit project)

RESIDENTIAL DRAINS



Pedestrian Areas

- Apartment Blocks
- Private Residences

Barefoot Areas

- Showers
- Wetrooms
- Bathrooms

Overview of Residential Drains

The Residential Drains section of this brochure deals with drains designed solely for use in areas restricted to low levels of foot traffic.

Apartments and Villas with tiled floors require Floor Drains and Cleanouts throughout the tiled areas. Walk-in showers or wetrooms require Linear Shower Drains.

The Floor Drains and Cleanouts are available in 150mm or 200mm versions with 102mm outlets. The contractor normally connects these to a plastic outlet.

The Linear Shower Drains are supplied complete with a plastic PVC 1.5" side outlet.

As standard Kent Stainless offer these products in grade 316 stainless steel with a Kent branded top plate.

Launched in 2015, Kent Residential Drains have already been installed in:

- TB Hospital Unit - Doha
- Al Mesilla Villas - Doha
- Al Ali Jarah Complex - Doha
- Viva Bahriya - The Pearl - Doha
- Panorama Tower – Doha
- Dafna Tower – Doha
- The Address Hotel – Downtown Dubai
- AG Tower – JLT – Dubai
- Masdar Institute - Abu Dhabi
- Cleveland Clinic - Abu Dhabi
- Qasr Al Hosn Fort - Abu Dhabi
- Mamsha Al Saadiyat - Abu Dhabi
- AD Future Schools Program - Abu Dhabi
- NBK Tower - Kuwait
- Souk Al Kabir - Kuwait
- Julphar KAEC Rabigh - Saudi Arabia
- Arabio Makka - Saudi Arabia
- KAUST Thuwal - Saudi Arabia



This section of residential drain products is designed for large volume production with minimum order quantities of 200+ pieces ex factory.

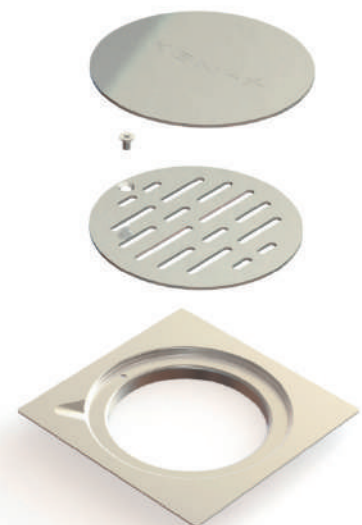
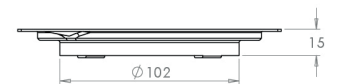
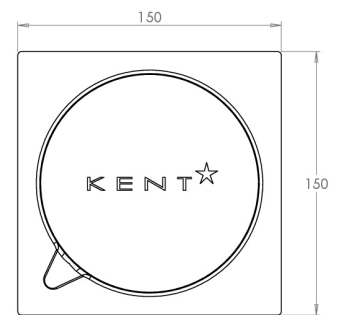
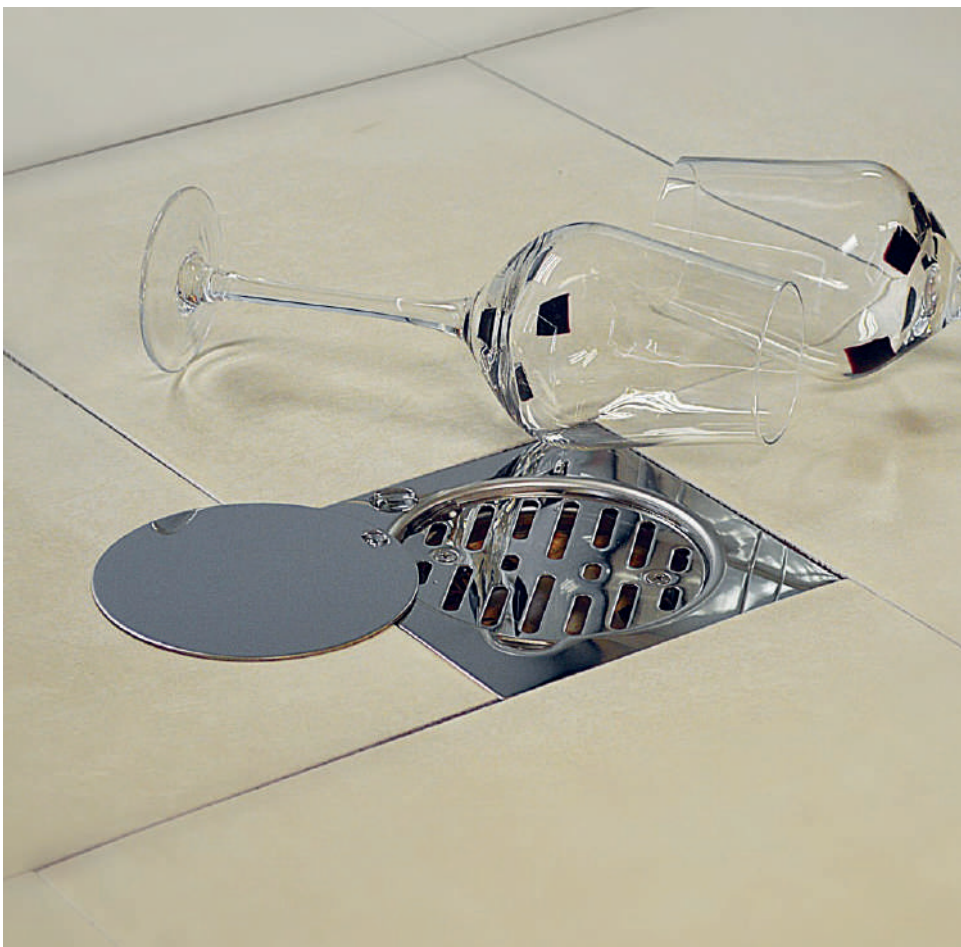
KENT KFD150/102 – Floor Drain

The Kent Stainless 3 Part floor drain has been developed specifically for the Middle East residential market. It is ideal for use in apartment complexes, villa compounds, ablution and public washroom areas. The floor drains are manufactured in **grade 316 stainless steel** with a satin finish as standard, with a mirror polished finish also available. The floor drains have a 102mm diameter outlet as standard. 150mm and 200mm versions are available.

Kent Stainless 3 Part Floor Drains are ex-stock in Ireland and offer excellent value for money. Due to their lightweight construction they can be air freighted with an 8-10 day delivery period.

Features

- Grade 316 Stainless steel
- 102mm diameter outlet
- Satin finish as standard; mirror polish also available
- Ex stock; spare parts also ex stock
- Minimum order quantity 200+ pieces



Product Code	Height	Width	Depth	Outlet	Flow Rate*
KFD 150/102	15mm	150mm	150mm	102mm	1.4 l/s
KFD 200/102	15mm	200mm	200mm	102mm	1.4 l/s

Specify Kent Floor Drain KFD150/102. 150 x 150mm, 3 part floor drain. Grade 316 stainless steel with a satin polish finish.



BS EN1253 Class K3

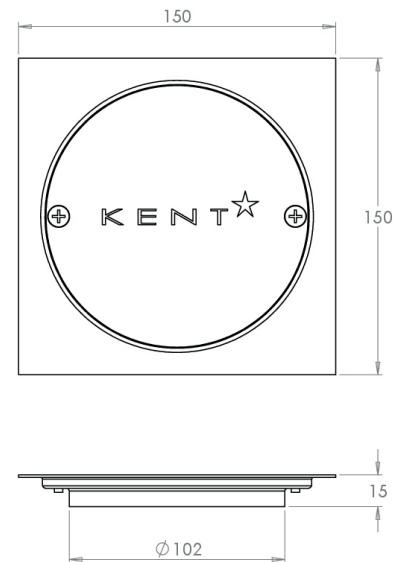
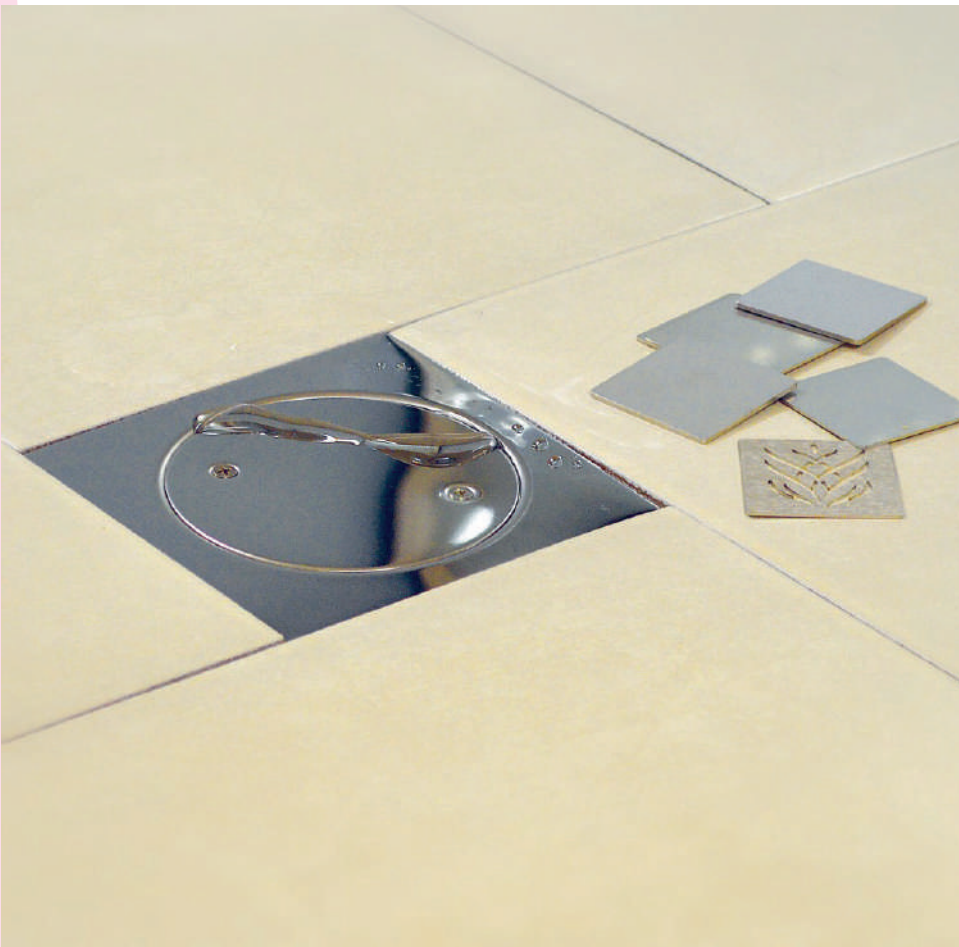
KENT KC0150/102 – Cleanout

The Kent Stainless 2 Part Floor Cleanout has been developed specifically for the Middle East residential market. It is ideal for use in apartment complexes, villa compounds, ablution and public washroom areas. The floor cleanouts and floor drains are manufactured in **grade 316 stainless steel** with a satin finish as standard, with a mirror polished finish also available. The floor cleanouts have a 102mm diameter outlet as standard and com in 150mm and 200mm sizes.

Kent Stainless floor cleanouts are ex-stock in Ireland and offer excellent value for money. Due to their lightweight construction they can be air freighted with an 8-10 day delivery period.

Features

- Grade 316 Stainless steel
- 102mm diameter
- Satin finish as standard; mirror polish also available
- Ex stock; spare parts also ex stock
- Minimum order quantity 200+ pieces



Product Code	Height	Width	Depth	Outlet
KCO 150/102	15mm	150mm	150mm	102mm
KCO 200/102	15mm	200mm	200mm	102mm

Specify Kent Floor Cleanout KC0150/102. 150 x 150mm, 2 part floor cleanout. Grade 316 stainless steel with a satin polish finish.



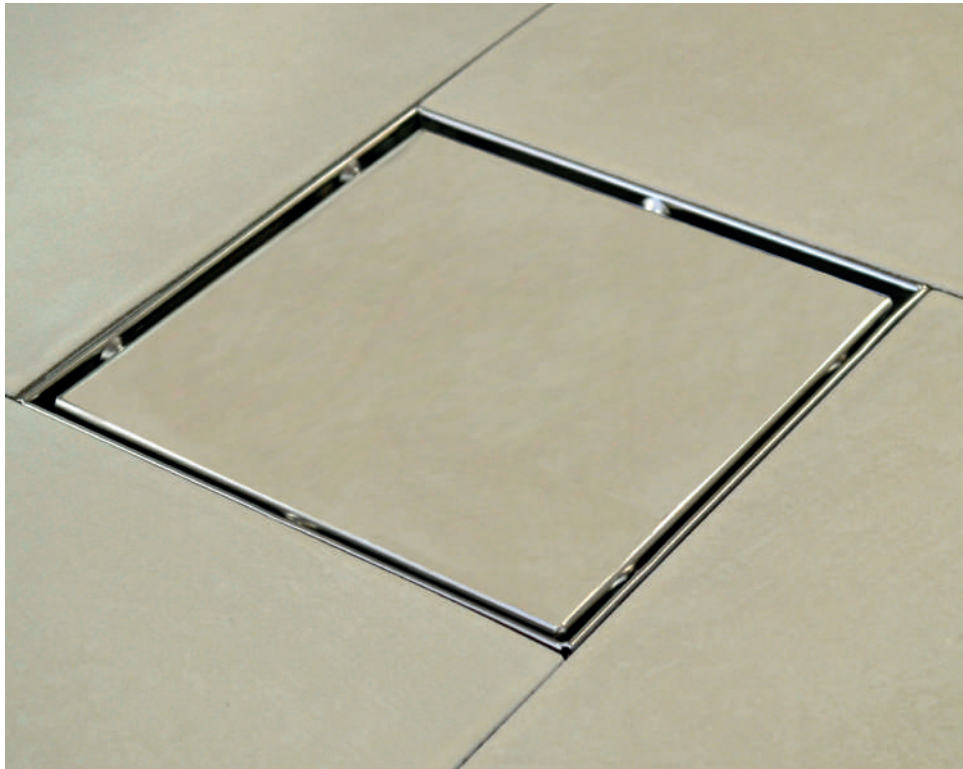
BS EN1253 Class K3

KENT KTD150/102 – Tile Drain

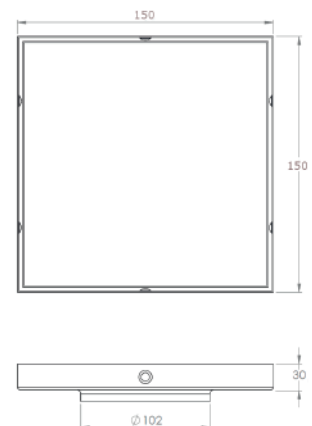
The Kent Stainless floor drain with tile infill has been developed specifically for the high end residential market. The floor drain can be infilled with a solid tile, or a glass block giving an extra special effect. The floor drains are manufactured in **grade 316 stainless steel** with a satin finish and an 4.0mm drainage slot as standard.

Features

- Grade 316 Stainless steel
- 102mm diameter
- Mill finish as standard
- Minimum order quantity 200+ pieces



Tile Not Included



Product Code	Height	Width	Depth	Outlet	Flow Rate*
KTD 150/102	30mm	150mm	150mm	102mm	1.4 l/s
KTD 200/102	30mm	200mm	200mm	102mm	1.4 l/s

Specify Kent Tile Drain KTD150/102. 150 x 150mm, 2 part floor drain. Grade 316 stainless steel with a mill finish.



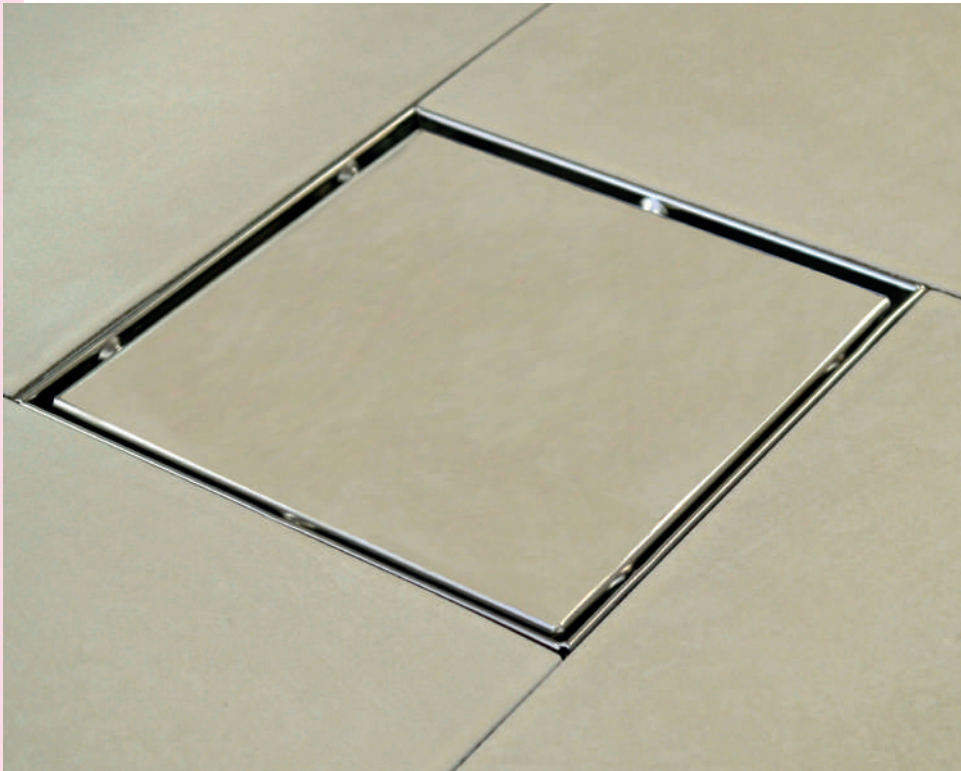
BS EN1253 Class K3

KENT KTD150/110 – Tile Drain

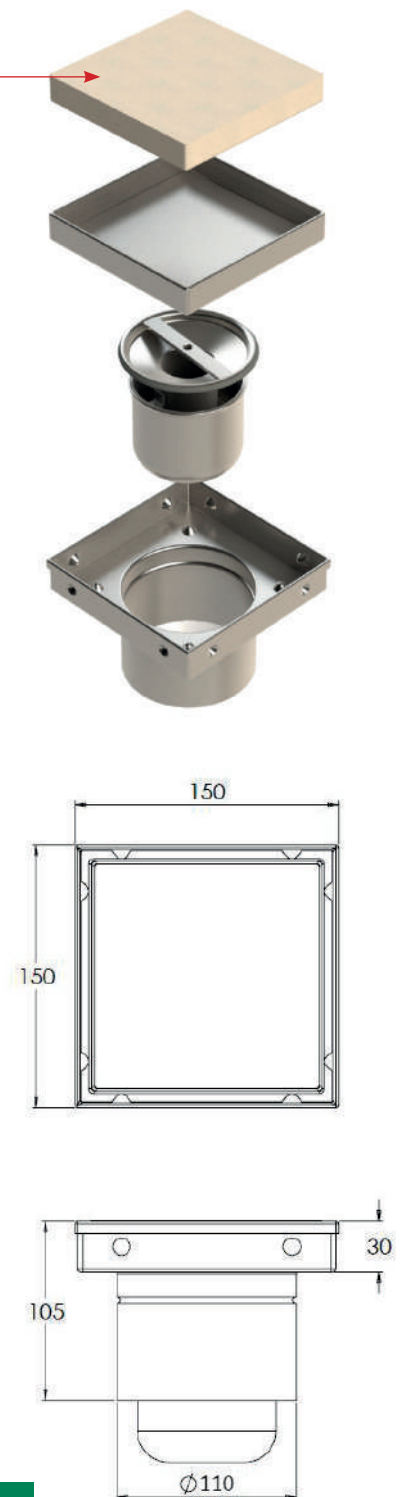
This is a modified version of our KTD150/102 – but with an enlarged outlet of 110mm so that it can use our 110mm foul air trap. The floor drain can be infilled with a solid tile, or a glass block giving an extra special effect. The floor drains are manufactured in **grade 316 stainless steel** and have a 4mm drainage slot as standard. This product can be manufactured in small batches of 5 pieces.

Features

- Grade 316 Stainless steel
- 110mm diameter
- Mill finish as standard



Tile Not
Included



Product Code	Height	Width	Depth	Outlet	Flow Rate*
KTD 150/110	105	150	150	110	1.4L/s
KTD 200/110	105	200	200	110	1.4L/s

Specify Kent Tile Drain KTD150/110. 150 x 150mm, 2 part floor drain. Grade 316 stainless steel with a mill finish. Trapped.



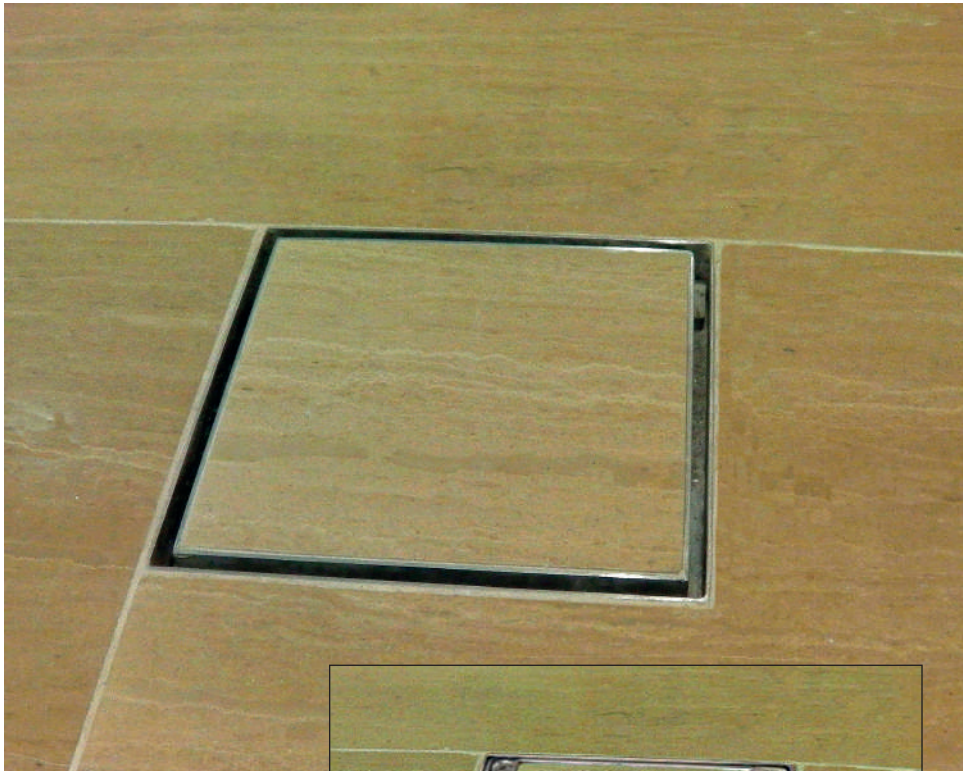
BS EN1253 Class K3

KENT KTC0150/102 – Tile Cleanout

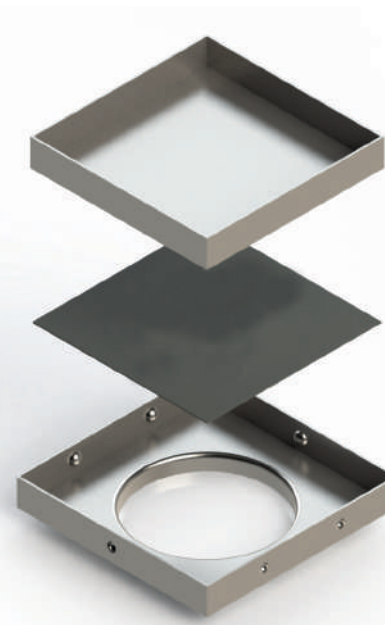
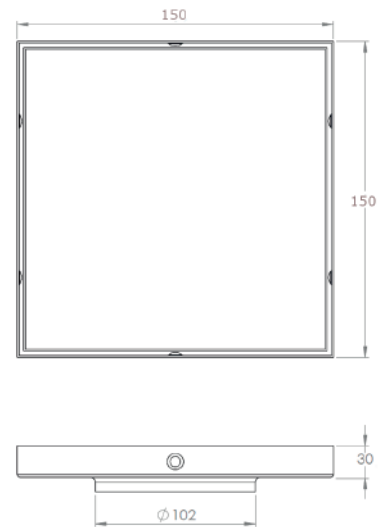
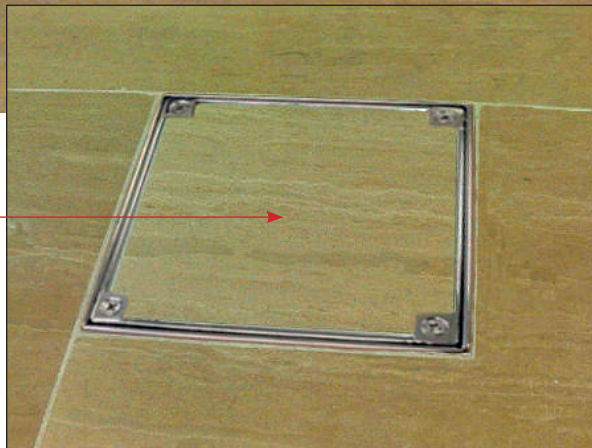
The Kent Stainless cleanout with tile infill has been developed specifically for the high end residential market. The cleanout can be infilled with a solid tile, or a glass block giving an extra special effect. The cleanouts are manufactured in **grade 316 stainless steel** with a satin finish.

Features

- Grade 316 Stainless steel
- 102mm diameter
- Mill finish as standard
- Minimum order quantity 200+ pieces



Lock down version
available



Product Code	Height	Width	Depth	Outlet
KTCO 150/102	30mm	150mm	150mm	102mm
KTCO 200/102	30mm	200mm	200mm	102mm
KTCO (LD) 150/102	30mm	150mm	150mm	102mm
KTCO (LD) 200/102	30mm	200mm	200mm	102mm

Specify Kent Tile Cleanout' KTC0150/102. 150 x 150mm, 2 part cleanout. Grade 316 stainless steel with a mill finish.



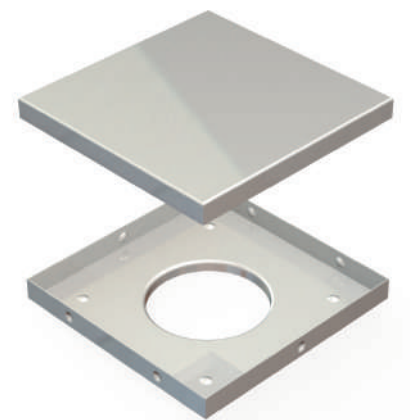
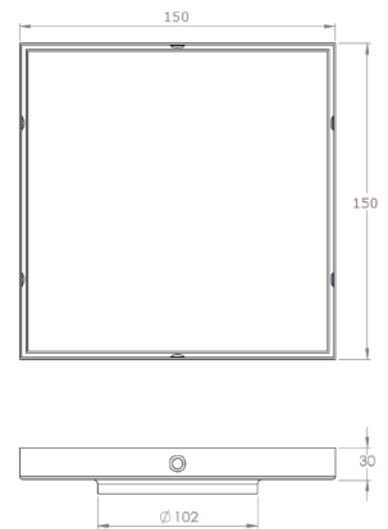
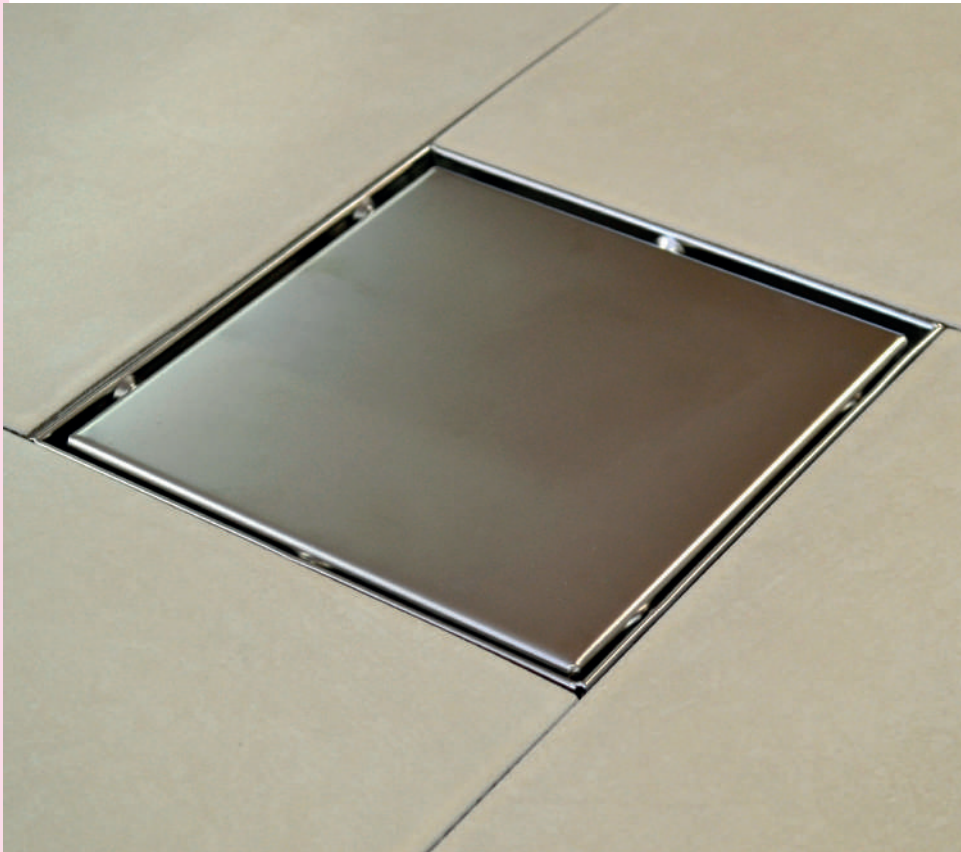
BS EN1253 Class K3

KENT KSSD150/102 – Shower Slot Drain

The Kent Shower Slot Drain with stainless steel infill has been developed specifically for the high end residential market. The floor drain is infilled with a solid stainless steel grating with slot all round for water outflow giving an extra neat effect. The floor drains are manufactured in **grade 316 stainless steel** with a satin finish and an 4.0mm drainage slot as standard.

Features

- Grade 316 Stainless steel
- 102mm diameter
- Satin finish as standard; mirror polish also available
- Customisable with logos and perforations
- Minimum order quantity 200+ pieces



Product Code	Height	Width	Depth	Outlet	Flow Rate*
KSSD 150/102	30mm	150mm	150mm	102mm	1.4 l/s
KSSD 200/102	30mm	200mm	200mm	102mm	1.4 l/s

Specify Kent Shower Slot Drain KSSD150/102. 150 x 150mm, 2 part floor drain. Grade 316 stainless steel with a satin polish finish.



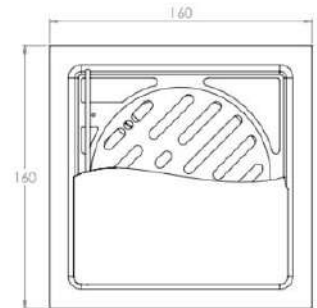
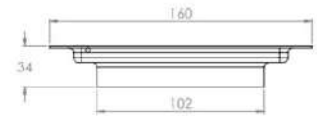
BS EN1253 Class K3

KENT KHFD160/102 – Hinged Floor Drain

The Kent Stainless Hinged Floor Drain is a hinged variation of our 3 part floor drain. It has been developed specifically for the Middle East residential market. It is ideal for use in Apartment complexes, villa compounds, ablution and public washroom areas. It is manufactured in **Grade 316L stainless steel** with a satin finish as standard, with a mirror polished finish also available. The floor drains have a 102mm diameter outlet as standard.

Features

- Grade 316 Stainless steel
- 102mm diameter
- Hinged top
- Satin finish as standard; mirror polish finish also available
- Minimum order quantity 200+ pieces



Product Code	Height	Width	Depth	Outlet	Flow Rate*
KHFD160/102	35mm	160mm	160mm	102mm	1.4 l/s

Specify: Kent Hinged Floor Drain KHFD160/102; 160 x 160mm, Grade 316L stainless steel; satin polished finish.



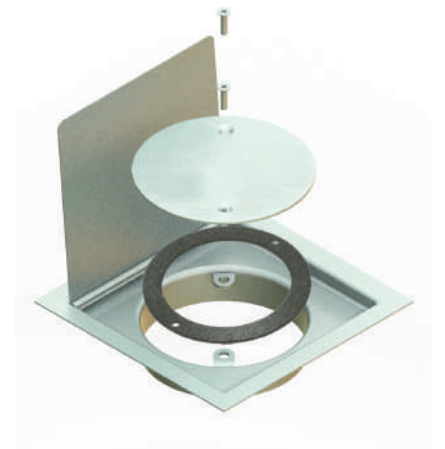
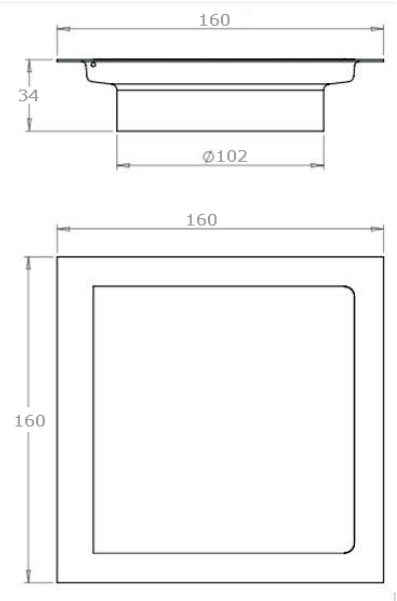
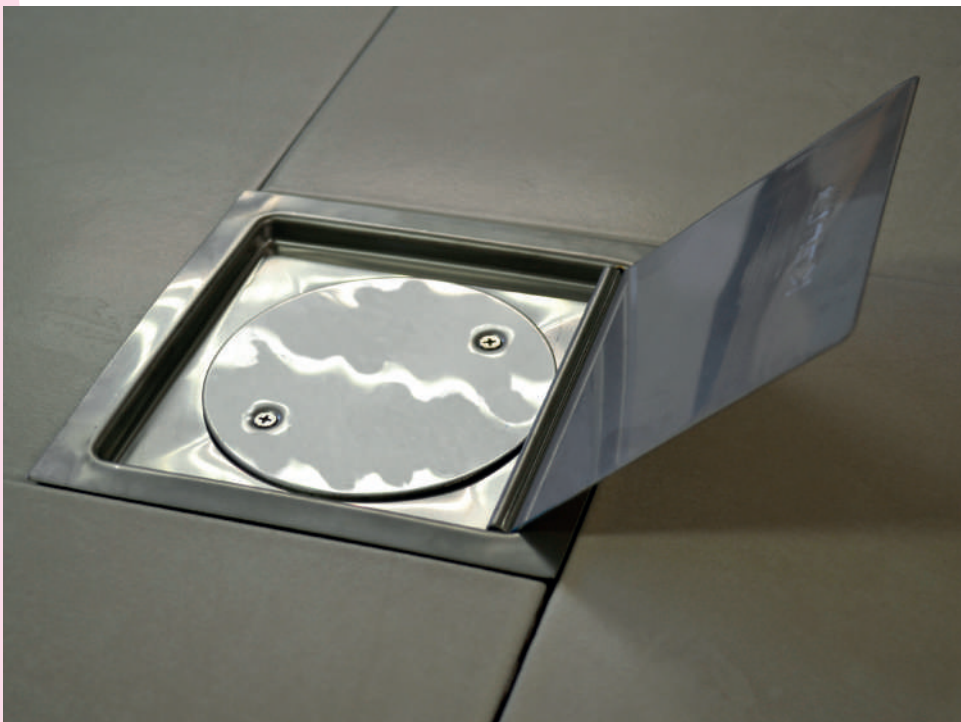
BS EN1253 Class K3

KENT KHFC0160/102 – Hinged Floor Cleanout

The Kent Stainless Hinged Floor Cleanout is a hinged variation of our 2 part floor cleanout. It has been developed specifically for the Middle East residential market. It is ideal for use in Apartment complexes, villa compounds, ablution and public washroom areas. It is manufactured in **Grade 316L stainless steel** with a satin finish as standard, with a mirror polished finish also available. The floor cleanouts have a 102mm diameter outlet as standard.

Features

- Grade 316 Stainless steel
- 102mm diameter
- Hinged top
- Satin finish as standard; mirror polish finish also available
- Minimum order quantity 200+ pieces



Product Code	Height	Width	Depth	Outlet
KHFC0160/102	35mm	160mm	160mm	102mm

Specify: Kent Hinged Floor Cleanout KHFC0160/102; 160 x 160mm, Grade 316L stainless steel; satin polished finish.



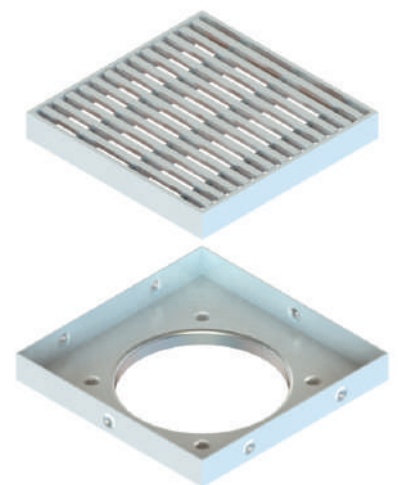
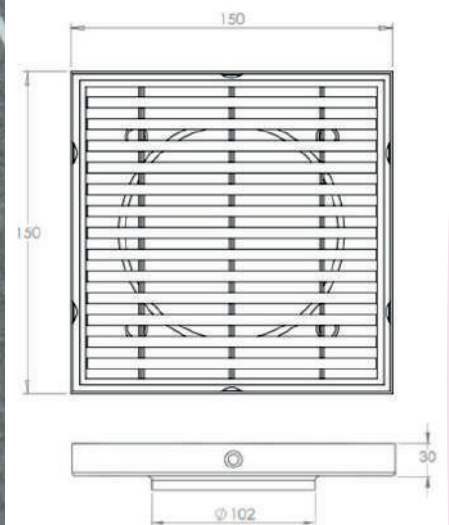
BS EN1253 Class K3

KENT KSMHD150/102 – Shower Heelmesh Drain

The Kent Shower Heelmesh Drain has been developed specifically for the high end residential market. It is ideal for use in wetroom and shower rooms of apartment complexes and villa compounds where that extra special finish is required. The drain has Kent Wedge Heelmesh grating. The floor drains are manufactured in **grade 316 stainless steel** with a satin finish as standard.

Features

- Grade 316 Stainless steel
- 102mm diameter
- Satin finish as standard; mirror polish also available
- Minimum order quantity 200+ pieces



Product Code	Height	Width	Depth	Outlet
KSHMD 150/102	30mm	150mm	150mm	102mm
KSHMD 200/102	30mm	200mm	200mm	102mm

Specify Kent Shower Heelmesh Drain KSHMD150/102. 150 x 150mm, 2 part floor drain. Grade 316 stainless steel with a satin polish finish.



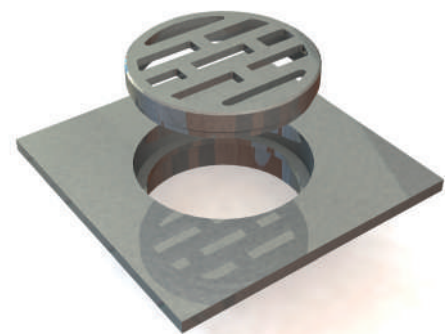
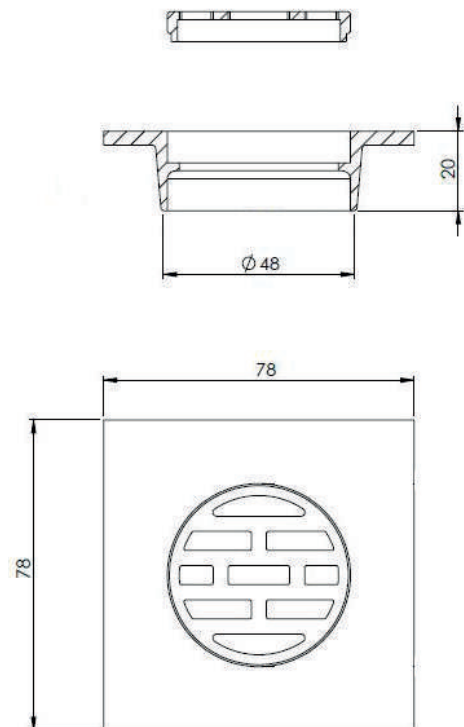
BS EN1253 Class K3

KENT KSD78/48 – Shower Drain

The Kent stainless 2 part Shower drain has been developed specifically for the Middle East residential market. It is ideal for use in apartment complexes, Villa compounds, ablution and public washroom areas. The balcony drains are manufactured in **Grade 316 Stainless steel** with a satin finish as standard, with a mirror polished finish also available. The shower drains have a 48mm diameter outlet as standard.

Features

- Grade 316 Stainless Steel
- 48mm dia Outlet
- Satin finish as standard; mirror polish also available
- Min order quantity 200+ pieces



Product Code	Height	Width	Depth	Outlet	Flow Rate*
KSD 78/48	20mm	78mm	78mm	48mm	0.71l/s

Specify Kent Shower Drain KSD78/48. 78mmx78mm, 2 part shower drain. Grade 316 stainless steel with a satin polish finish.



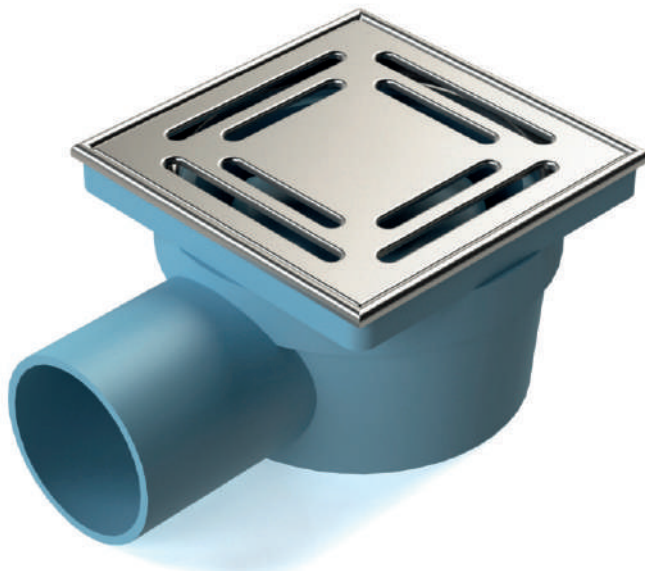
BS EN1253 Class K3

Kent KBD 100/50 - Balcony Drain

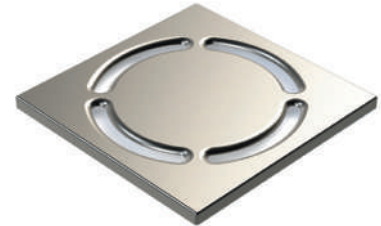
The Kent stainless 2 part balcony drain has been developed specifically for the Middle East residential market. It is ideal for use in apartment complexes, Villa compounds, ablution and public washroom areas. The balcony drains are manufactured in **Grade 316 Stainless steel** with a satin finish as standard and available with gratings as shown below. The balcony drains have a 50mm diameter outlet as standard. This drain contains a foul air trap and an insect guard.

Features

- Grade 316 Stainless Steel
- 50mm dia Outlet
- Satin finish as standard
- Min order quantity 200+ pieces



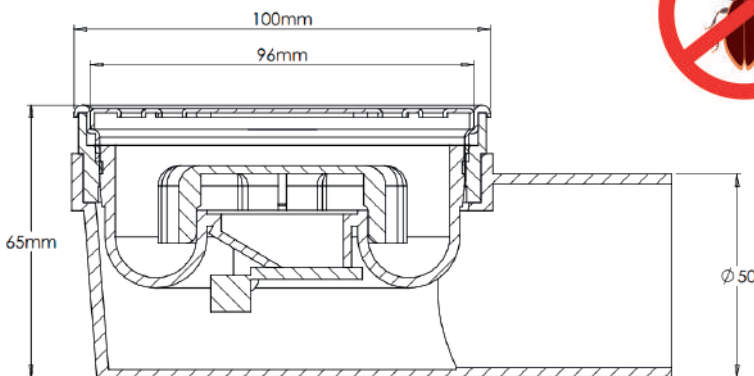
Rounded Slotted (RS)



Square Perforated (SP)



Square Slotted (SS)



BS EN1253 Class K3

Product Code	Height	Width	Depth	Outlet	Flow Rate*
KBD100/50(RS)	65mm	100mm	100mm	50mm	0.9L/s
KBD100/50(SP)	65mm	100mm	100mm	50mm	0.9L/s
KBD100/50(SS)	65mm	100mm	100mm	50mm	0.9L/s



Barefoot



Pedestrian

Specify: Kent Balcony Drain KBD100/50(RS). 100x100mm, 2 part balcony drain. Grade 316 Stainless steel with a satin polish finish. Complete with Square Slotted Grating (SS).



(amend underlined words to suit project)

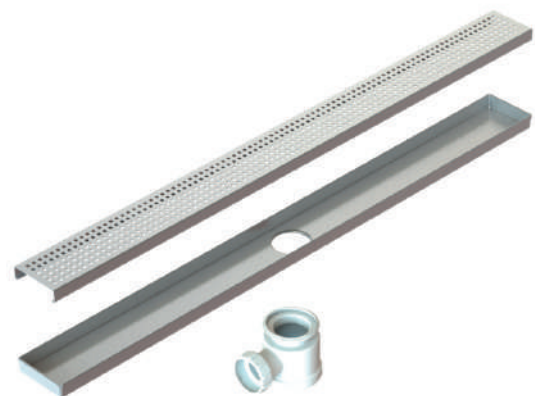
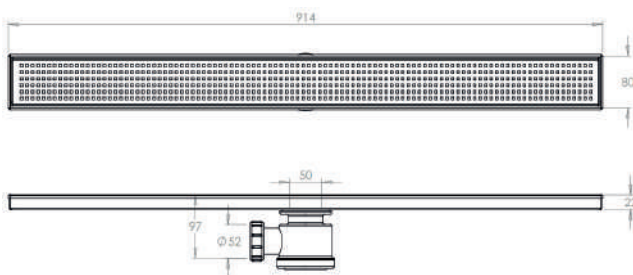
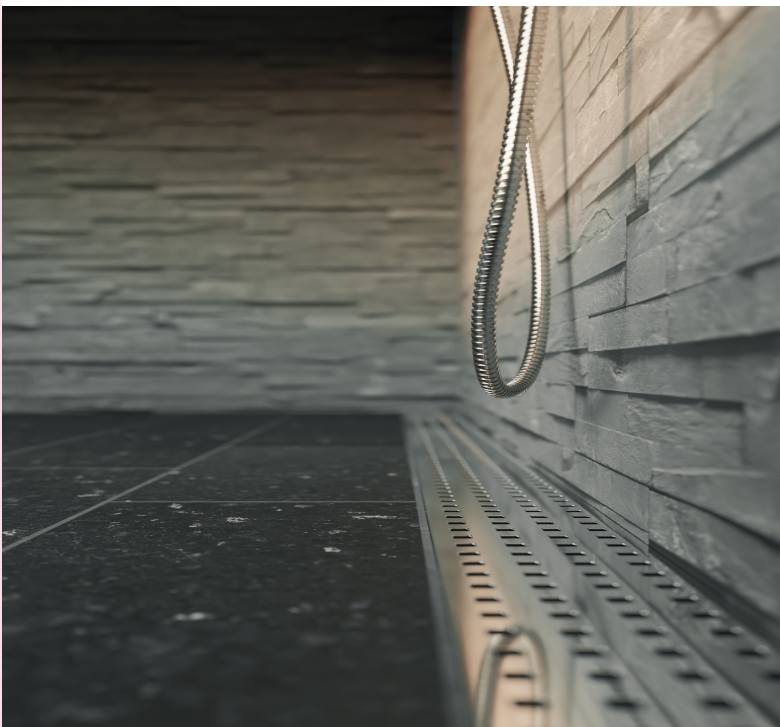
KENT KLSD (SP) – Linear Shower Drain (Square Perforated)

The Kent Stainless Linear Shower Drain has been specifically designed for barefoot walk in shower areas, washrooms and wetrooms. The Wetroom channel is made from **grade 316 stainless steel** and comes with 1 ½ BSP trapped side outlet as standard. The channel is available in 914mm lengths and this model comes with Kent Square Perforated Grating.

Kent Stainless Linear Shower Drain Channels are ex-stock in our Irish factory and offer excellent value for money. Due to their lightweight construction they can be air freighted with an 8-10 day delivery period.

Features

- Grade 316 Stainless steel
- Easy to clean
- 1 ½" BSP PVC shower trap included
- Satin finish as standard
- Ex stock; spare parts also ex stock
- Minimum order quantity 200+ pieces



Product Code	Height	Length	Width	Outlet	Flow Rate*
KLSD(SP)	22mm	914mm	80mm	1.5" BSP	0.9 l/s

Specify Kent Linear Shower Drain KLSD(SP). Grade 316 stainless steel complete with 1 ½" BSP PVC shower trap and square perforated grating.



BS EN1253 Class K3

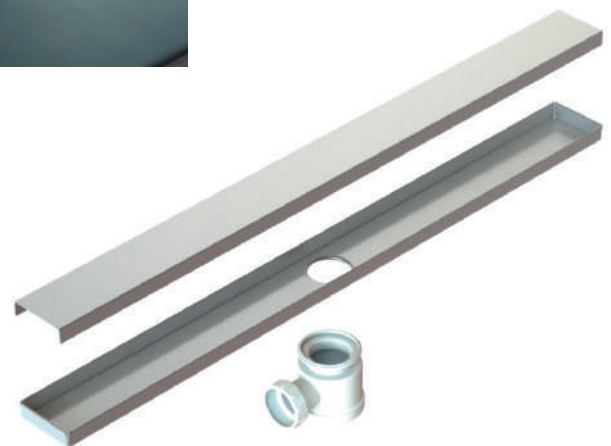
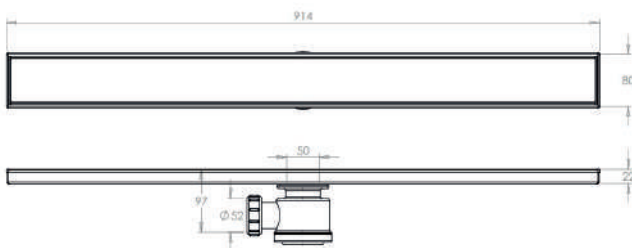
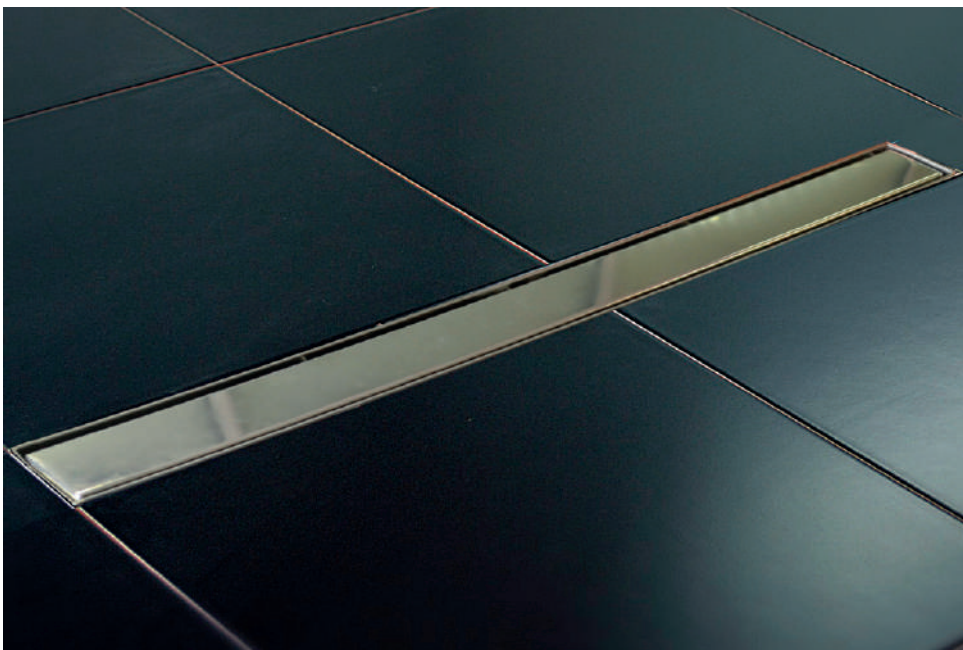
KENT KLSD (SS) – Linear Shower Drain (Stainless Slot)

The Kent Stainless Linear Shower Drain has been specifically designed for barefoot walk in shower areas, washrooms and wetrooms. The Wetroom channel is made from **grade 316 stainless steel** and comes with 1 ½ BSP trapped side outlet as standard. The channel is available in 914mm lengths and this model comes with a Stainless Slot Top Grating which shows a 5mm drainage slot all round.

Kent Stainless Linear Shower Drain Channels are ex-stock in our Irish factory and offer excellent value for money. Due to their lightweight construction they can be air freighted with an 8-10 day delivery period.

Features

- Grade 316 Stainless steel
- Easy to clean
- 1 ½" BSP PVC shower trap included
- Satin finish as standard;
- Ex stock; spare parts also ex stock
- Minimum order quantity 200+ pieces



Product Code	Height	Length	Width	Outlet	Flow Rate*
KLSD(SS)	22mm	914mm	80mm	1.5" BSP	0.9 l/s

Specify Kent Linear Shower Drain KLSD(SS). Grade 316 stainless steel complete with 1 ½" BSP PVC shower trap and stainless slot top grating.



BS EN1253 Class K3

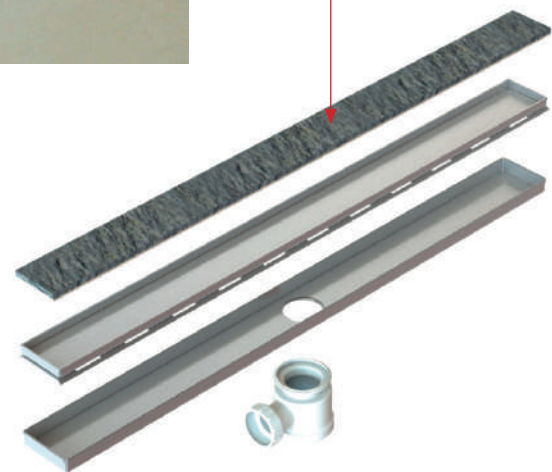
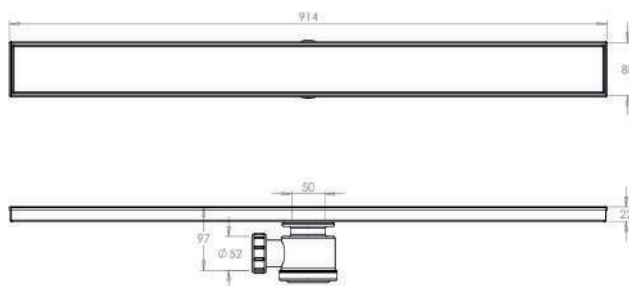
KENT KLSD (T) – Linear Shower Drain (Tile)

The Kent Stainless Linear Shower Drain for Tile floors has been specifically designed for barefoot walk in shower areas, washrooms and wetrooms. The Wetroom channel is made from **grade 316 stainless steel** and comes with 1 ½ BSP trapped side outlet as standard. The tiled shower channel is available in 914mm lengths and this model comes with a recessed tray for tile infill.

These Linear Shower Drain channels are ex-stock in our Irish factory and offer excellent value for money. Due to their lightweight construction they can be air freighted with an 8-10 day delivery period.

Features

- Grade 316 Stainless steel
- Easy to clean
- 1 ½" BSP PVC shower trap included
- Mill finish as standard
- Ex stock; spare parts also ex stock
- Minimum order quantity 200+ pieces



Product Code	Height	Length	Width	Outlet	Flow Rate*
KLSD(T)	22mm	914mm	80mm	1.5" BSP	0.9 l/s

Specify Kent Linear Shower Drain Tiled KLSD(T). Grade 316 stainless steel complete with 1 ½" BSP PVC shower trap and recessed tray.



BS EN1253 Class K3

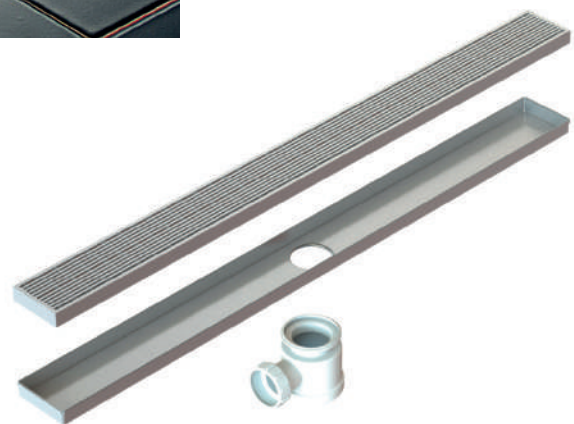
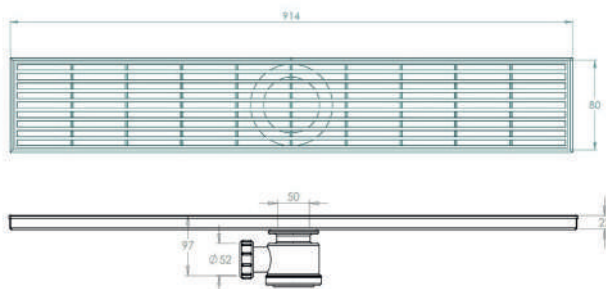
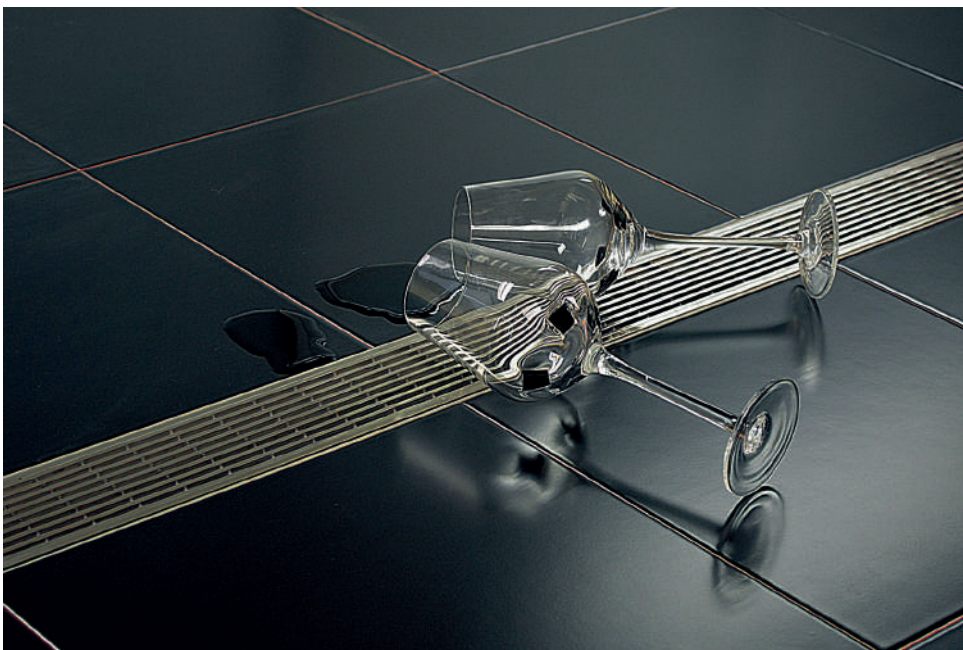
KENT KLSD (HM) – Linear Shower Drain (Heelmesh)

The Kent Stainless Linear Shower Drain has been specifically designed for barefoot walk in shower areas, washrooms and wetrooms. The Wetroom channel is made from **grade 316 stainless steel** and comes with 1 ½ BSP trapped side outlet as standard. This channel is available in 914mm lengths and this model comes with Kent Wedge Heelmesh Grating.

These wetroom channels are ex-stock in our Irish factory and offer excellent value for money. Due to their lightweight construction they can be air freighted with an 8-10 day delivery period.

Features

- Grade 316 Stainless steel
- Easy to clean
- 1 ½" BSP PVC shower trap included
- Satin finish as standard
- Ex stock; spare parts also ex stock
- Minimum order quantity 200+ pieces



Product Code	Height	Length	Width	Outlet	Flow Rate*
KLSD(HM)	22mm	914mm	80mm	1.5" BSP	0.9 l/s

Specify Kent Linear Shower Drain KLSD(HM). Grade 316 stainless steel complete with 1 ½" BSP PVC shower trap and wedge heelmesh grating.



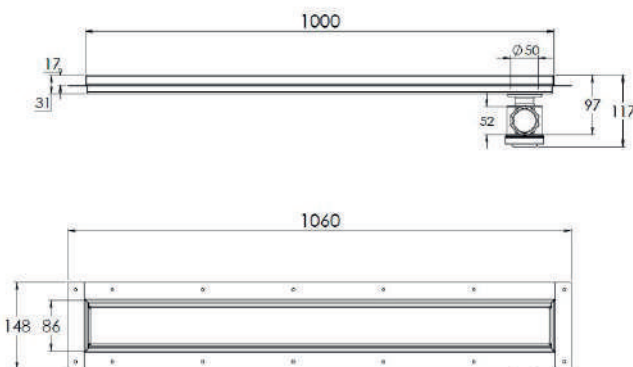
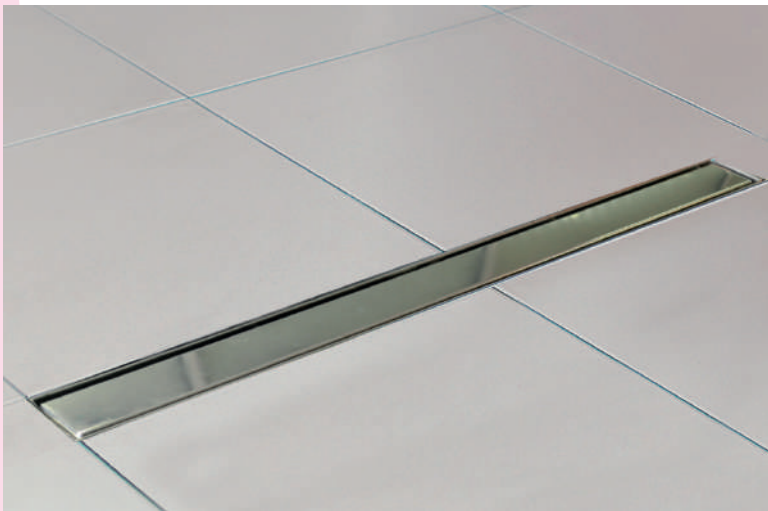
BS EN1253 Class K3

KENT KWRC(AS) – Wetroom Channel with Tanking Flange (Annular Slot)

The Kent Stainless Wetroom Channel (Annular Slot) KWRC80(AS) has been specifically designed for barefoot walk in shower areas, washrooms and wetrooms. The Wetroom channel is made from **grade 304 stainless steel** and comes with a 1 ½" BSP trapped side outlet as standard on one end. This is rotational and can be moved to the centre on request. The channel is available in 1200mm lengths and this model comes with Kent Annular Slot Grating giving a 4mm slot all round. It has a tanking flange all round and can be manufactured in small batches of 5 pieces.

Features

- Grade 304 Stainless steel
- Easy to clean
- 1 ½" BSP PVC shower trap included
- Satin finish as standard



Product Code	Height	Length	Width	Outlet	Flow rate
KWRC80(AS)	16mm	1200mm	84mm	1.5" BSP	0.9 l/s

Specify Kent Wetroom Channel with Tanking Flange KWRC80(AS); Grade 304 Stainless Steel; complete with 1 ½" BSP PVC shower trap and annular slot cover.



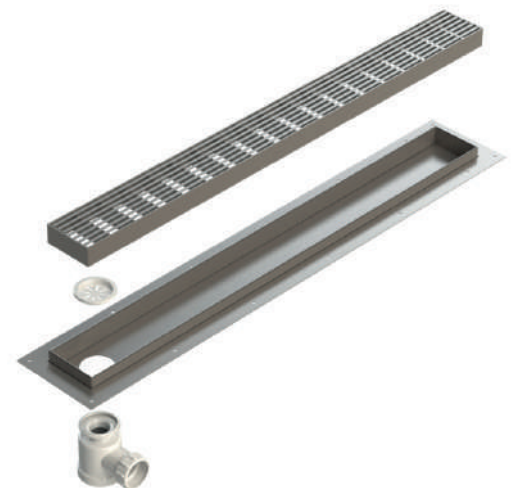
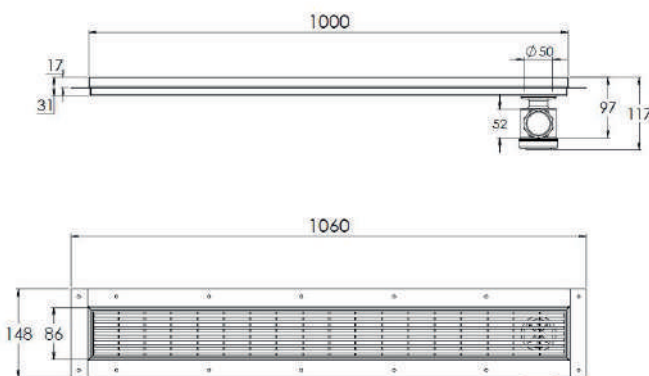
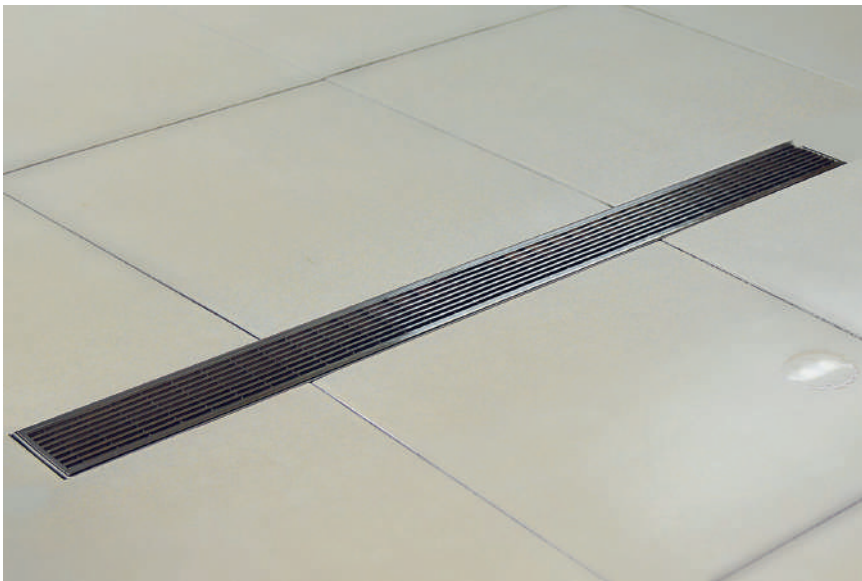
BS EN1253 Class K3

KENT KWRC(HM) – Wetroom Channel with Tanking Flange (Heelmesh)

The Kent Stainless Wetroom Channel (Heelmesh) KWRC80(HM) has been specifically designed for barefoot walk in shower areas, washrooms and wetrooms. The Wetroom channel is made from **grade 304 stainless steel** and comes with a 1 ½" BSP trapped side outlet as standard on one end. This is rotational and can be move to the centre on request. The channel is available in 1200mm lengths and this model comes with Kent Heelproof Mesh Grating with 5mm bars and 5mm gaps. It has a tanking flange all round and can be manufactured in small batches of 5 pieces.

Features

- Grade 304 Stainless steel
- Easy to clean
- 1 ½" BSP PVC shower trap included
- Satin finish as standard



Product Code	Height	Length	Width	Outlet	Flow rate
KWRC80(HM)	16mm	1200mm	84mm	1.5" BSP	0.9 l/s

Specify Kent Wetroom Channel with Tanking Flange KWRC80(HM); Grade 304 Stainless Steel; complete with 1 ½" BSP PVC shower trap and Heelmesh Grating cover.



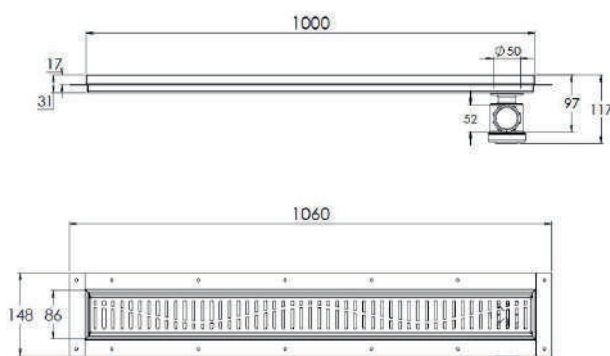
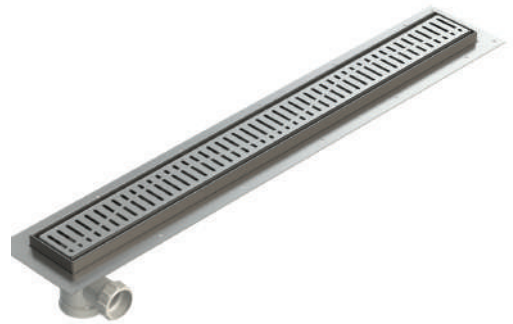
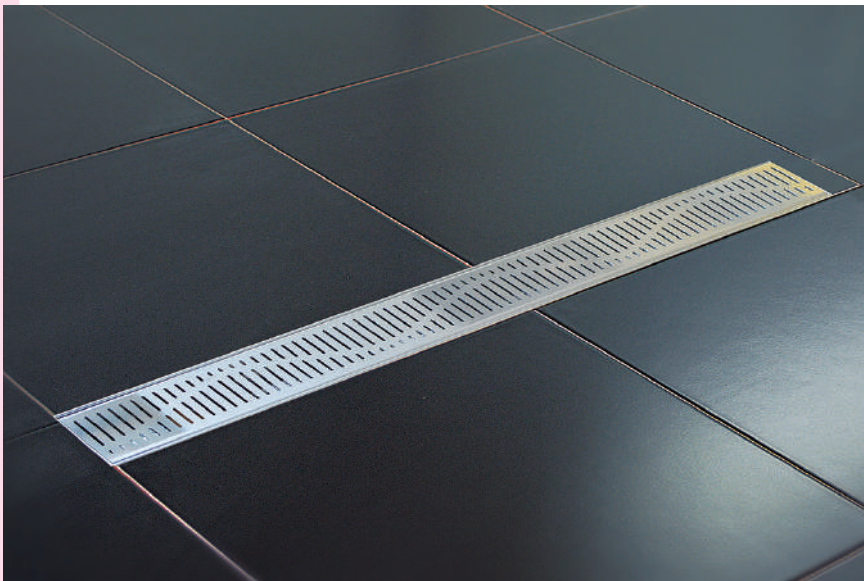
BS EN1253 Class K3

KENT KWRC(SL) – Wetroom Channel with Tanking Flange (Slotted)

The Kent Stainless Wetroom Channel (Slotted) KWRC80(SL) has been specifically designed for barefoot walk in shower areas, washrooms and wetrooms. The Wetroom channel is made from **grade 304 stainless steel** and comes with a 1 ½" BSP trapped side outlet as standard on one end. This is rotational and can be move to the centre on request. The channel is available in 1200mm lengths and this model comes with Kent Slotted Grating with 6mm gaps. It has a tanking flange all round and can be manufactured in small batches of 5 pieces.

Features

- Grade 304 Stainless steel
- Easy to clean
- 1 ½" BSP PVC shower trap included
- Satin finish as standard



Product Code	Height	Length	Width	Outlet	Flow rate
KWRC80(SL)	16mm	1200mm	84mm	1.5" BSP	0.9 l/s

Specify Kent Wetroom Channel with Tanking Flange KWRC80(SL); Grade 304 Stainless Steel; complete with 1 ½" BSP PVC shower trap and Slotted cover.



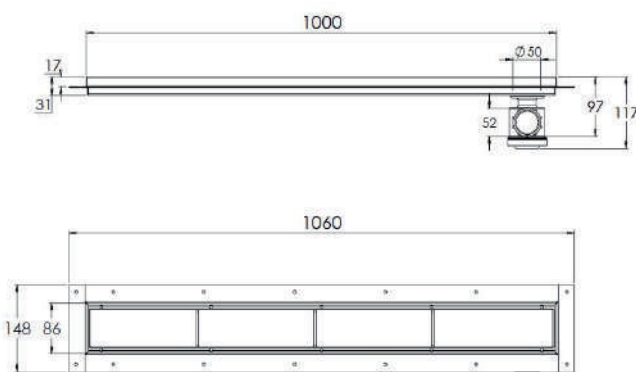
BS EN1253 Class K3

KENT KWRC(T) – Wetroom Channel with Tanking Flange (Tile)

The Kent Stainless Wetroom Channel (Tile) KWRC80(T) has been specifically designed for barefoot walk in shower areas, washrooms and wetrooms. The Wetroom channel is made from **grade 304 stainless steel** and comes with a 1 ½" BSP trapped side outlet as standard on one end. This is rotational and can be move to the centre on request. The channel is available in 1200mm lengths and this model comes with Kent Wave Grating. It has a tanking flange all round and can be manufactured in small batches of 5 pieces.

Features

- Grade 304 Stainless steel
- Easy to clean
- 1 ½" BSP PVC shower trap included
- Satin finish as standard



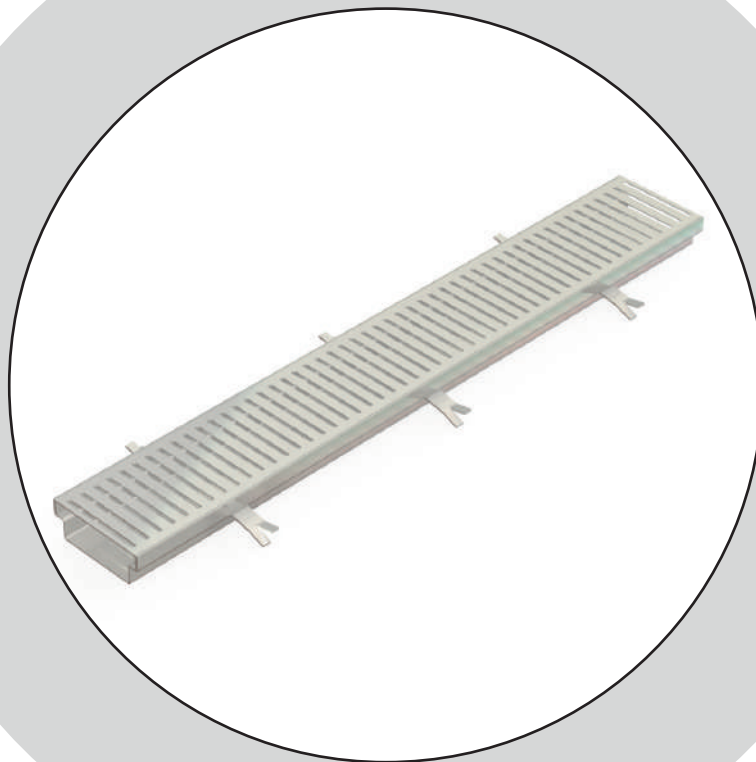
Product Code	Height	Length	Width	Outlet	Flow rate
KWRC80(T)	16mm	1200mm	84mm	1.5" BSP	0.9l/s

Specify Kent Wetroom Channel with Tanking Flange KWRC80(T); Grade 304 Stainless Steel; complete with 1 ½" BSP PVC shower trap and recessed tray.



BS EN1253 Class K3

OTHER BUILDING DRAINS



Typically Pedestrian Areas

- Roofs
 - Balconies
 - Door Thresholds
 - Decks
-

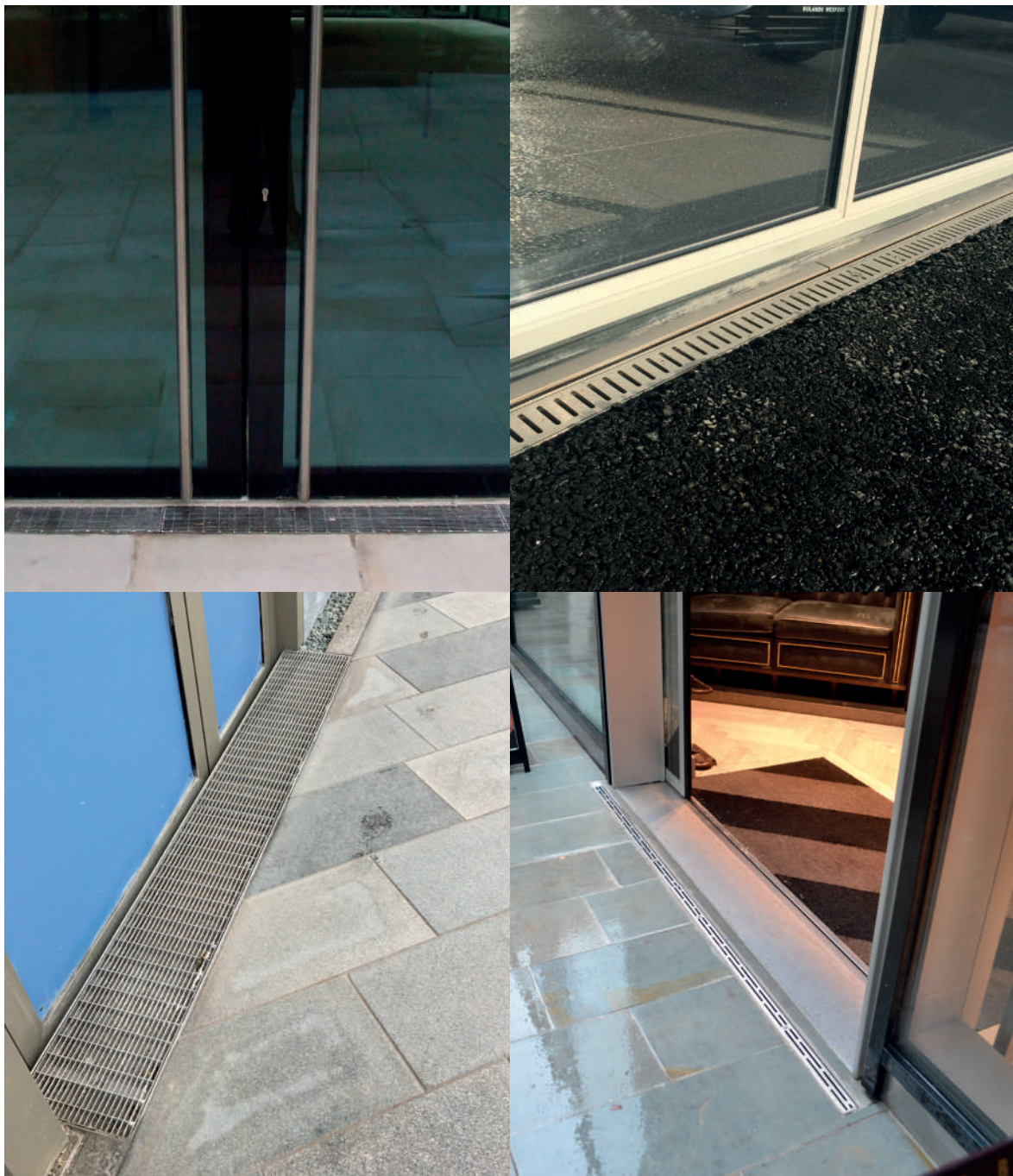


Overview of Other Building Drains

The Other Building Drains section of this brochure deals with drains designed mainly for use externally on the building project - on balconies, at the door threshold, or on the roof mainly. These areas are almost always subjected only to pedestrian traffic, if any traffic at all. They have low flow rates in comparison to our industrial channels as they deal mainly with rainwater run-off.

The Channels here are most often provided with low cost punched slotted gratings, but other heel friendly grates are available for more prestigious projects.

The gullies and channels here are predominantly made to be untrapped and the suggested outlets here can be widened or lengthened to suit connections on the project.



KENT KSIC125 – Shallow Invert Channel

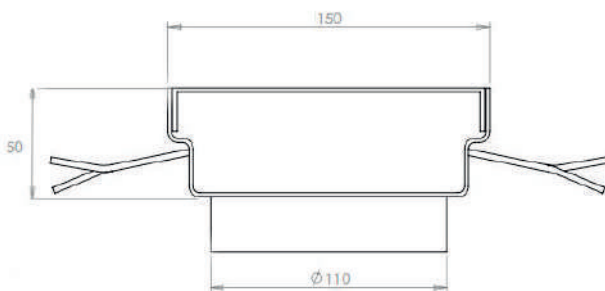
The Kent Shallow Invert Channel is a low cost and shallow channel. The lowest cost option is a 125mm channel with a Punched Slotted grating. The channel has a shallow invert with minimum start depth of 50mm. This is ideal for use for balconies, car park decks, multi storey car parks and other areas where restricted depths occur. This is ideal for balconies, car park decks, multi story car parks, commercial door thresholds and other areas where restricted depths occur.

The Shallow Invert Channel is fully manufactured from stainless steel and is available in grade 304 & 316L. It is supplied with fully welded end plates, 110mm outlet (trapped if required), levelling feet, joining flange and gasket.

The Kent Shallow Invert Channel takes all 25mm deep gratings offered by Kent Stainless including civils heelmesh, wedge heelmesh, pedestrian heelmesh, heelproof ladder, heelproof slotted and heelproof perforated gratings.

Features

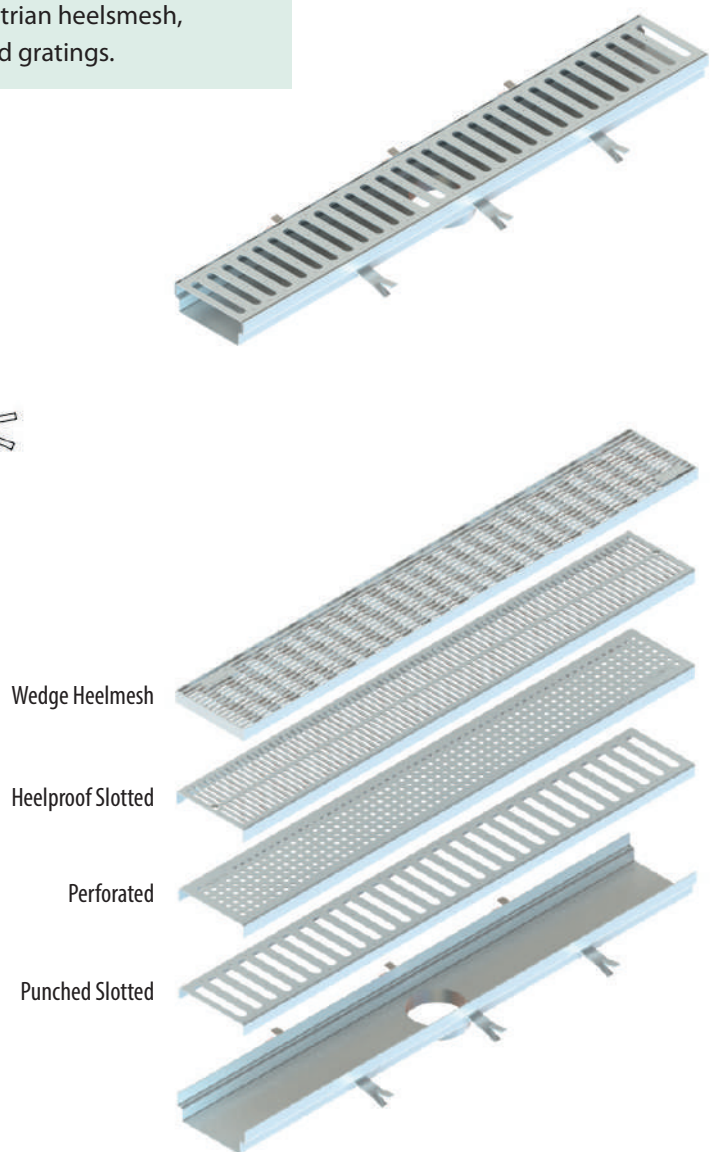
- Constant depth of 50mm
- Short lead time
- Compatible with all Kent Stainless civils gratings
- Lock down option available



Heelproof



Pedestrian



Wedge Heelmesh

Heelproof Slotted

Perforated

Punched Slotted

Product Code	Height	Width	Outlet
KSIC125	50mm	125mm	75mm
KSIC150	50mm	150mm	110mm

Specify: Kent KSIC125 – Shallow Invert Channel; 125mm wide; grade 304 stainless steel; complete with punched slotted grating.

BSEN 1433 load class A15 (class B125 option available)



KENT KPPC – Permeable Paving Channel with Side Inlet

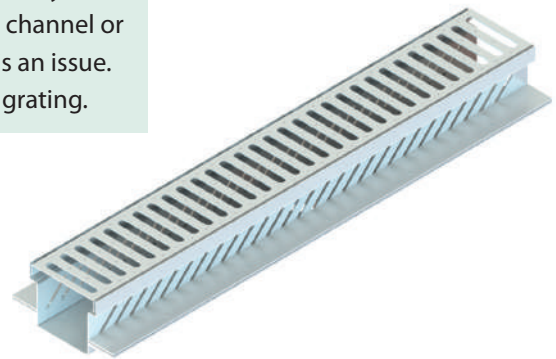
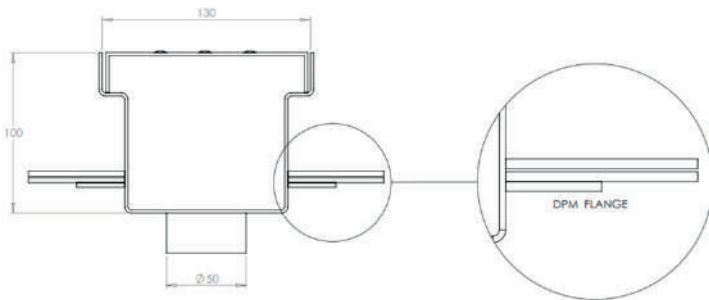
The Kent Permeable Paving Channel KPPC125 with Side Inlet slots has been designed specifically for use in “level access” areas including flats roofs, balconies, roof gardens and terraces. The channel is shallow in depth with perforated/slotted sides to allow maximum ingress of water.

The Kent Permeable Paving channel is generally used in conjunction with Kent Stainless roof drains (See building drainage > roof drains) to funnel and direct rainwater to the roof drain or existing rainwater outlets. This is particularly useful for areas of permeable paving and areas with decorative stone or gravel such as balconies.

The channel is fully manufactured from stainless steel and is available in grade 304 & 316L. It is supplied with fully welded end plates and joining brackets for easy on site installation. Kent Stainless full range of gratings can be used with the channel or a simple light duty perforated or slotted grating can be used where cost is an issue. The lowest cost option is a 125mm wide channel with a Punched Slotted grating.

Features

- Constant depth of 50mm
- Short lead time
- Low cost
- Lock down option available

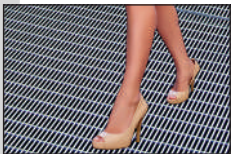


Wedge Heelmesh

Heelproof Slotted

Perforated

Punched Slotted



Heelproof



Pedestrian

Product Code	Height	Width	Outlet
KPPC125	100mm	125mm	75mm
KPPC150	100mm	150mm	110mm

Specify: Kent KPPC – Permeable Paving Channel with Side Inlet; 125mm wide; grade 304 stainless steel; complete with punched slotted grating.

(amend underlined words to suit project)

BSEN 1433 load class A15 (class B125 option available)



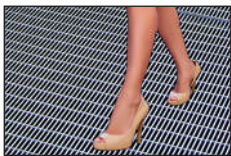
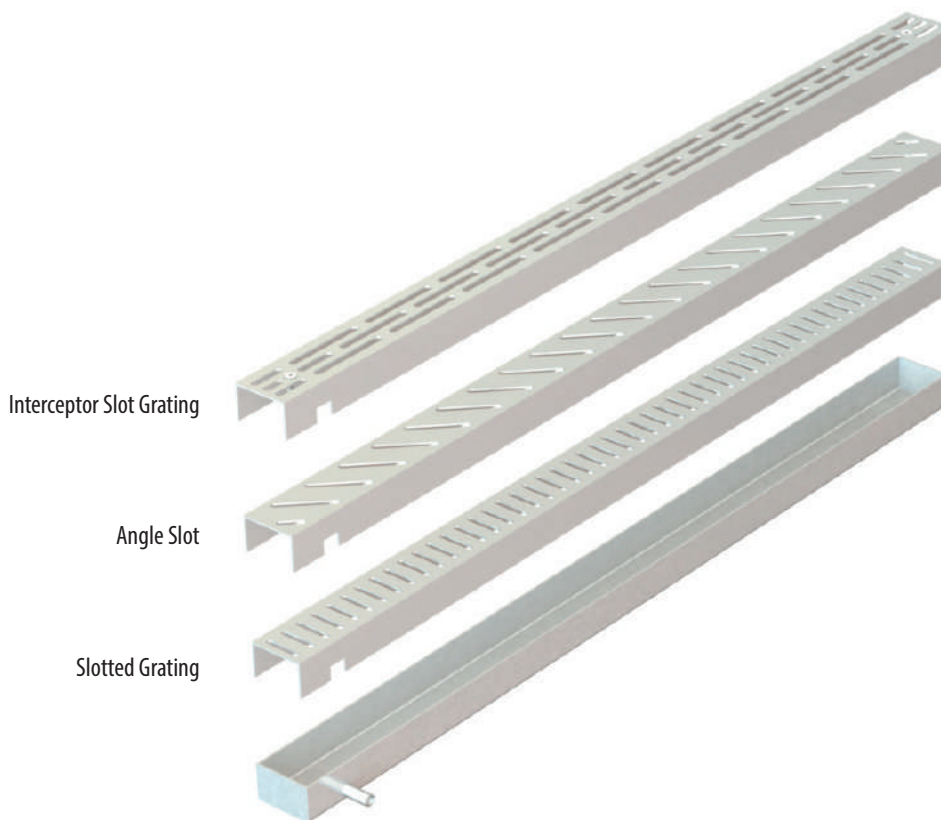
KENT KEC65 – Economy Channel

The Kent Economy Channel KEC65 is suitable for light duty areas where there is a low flow rate of water. The channel is narrow and shallow and is ideal where an unobtrusive channel is required. The economy channel is fully manufactured from stainless steel and is available in grade 304 & 316L. The channel is supplied with fully welded end plates, joining brackets and a slotted grating as standard.

The Kent economy channel is manufactured with ½" BSP outlets and standard size of 65mm x 40mm height. This Channel is particularly suitable for balconies or door thresholds.

Features

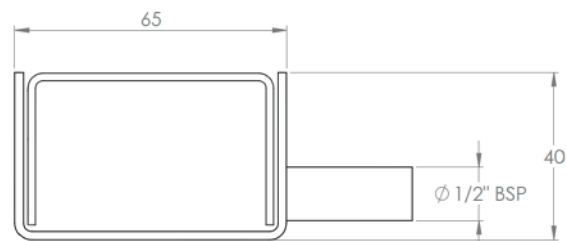
- Constant depth of 40mm
- Short lead time
- Easy installation
- Low cost
- Pre fabricated 90 degree corners and T sections available



Heelproof



Pedestrian



Product Code	Height	Width	Outlet
KEC65	40mm	65mm	½" BSP

Specify: Kent KEC65 Economy Channel; 65mm wide; grade 304 stainless steel; complete with Slotted grating.

(amend underlined words to suit project)

EN 1433 load class A15



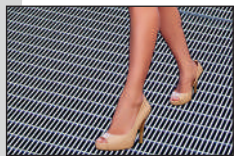
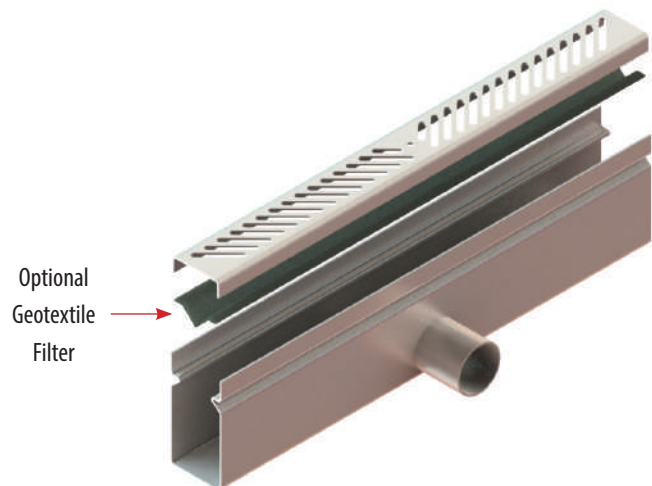
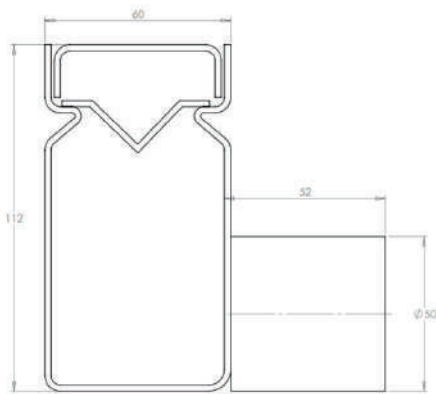
KENT KDTC60 – Door Threshold Channel

The Kent Door Threshold channel KDTC60 is suitable for residential front door thresholds where there is a low flow rate of water. The channel is narrow but deeper than our Economy channel and has the added benefit of lock down grating. The Kent threshold channel is fully manufactured from stainless steel and is available in grade 304 & 316L. The channel is supplied with fully welded end plates, joining brackets and a slotted, lock down grating as standard.

The Kent Door Threshold channel is manufactured to comply with Part M of the Building regulations and is ideal for pedestrian use across doorway entrances.

Features

- Constant depth of 110mm
- Short lead time
- Easy installation
- Low cost
- Lock down grating
- 50mm



Heelproof



Pedestrian

Product Code	Height	Width	Length	Outlet
KDTC60	110mm	60mm	900mm	50mm

Specify: Kent KDTC 60 Door Threshold channel; 60mm wide; grade 304 stainless steel; complete with lock down slotted grating.

EN 1433 load class A15

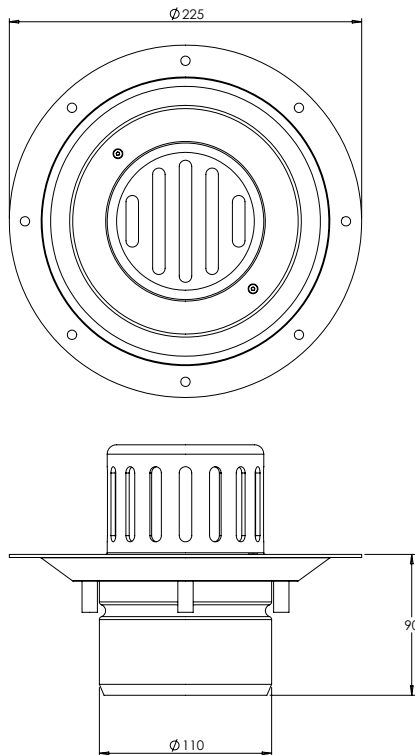


KENT KVV225/110RG - Stainless Roof Gully

The KVV225/110 Roof Gully is ideal for use on all type of roof construction. They are low cost and provide an excellent finish by tying into the roof membrane. The sides of the gully are perforated with 10mm slots to ensure excellent water ingress while ensuring leaves and debris do not enter the gully.

Features

- Low Cost
- Installed to waterproof roof membrane from the topside of the roof
- Short lead time
- 110mm outlet as standard



Product Code	Height	Width	Outlet	Flow Rate
KVV225/110RG	90mm	225mm	110mm	9L/s

Specify: Kent KVV225/110RG roof gully; 225mm diameter; grade 304 stainless steel; complete with grating.

EN 1253 load class H 1,5

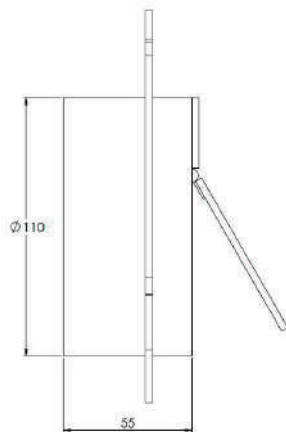
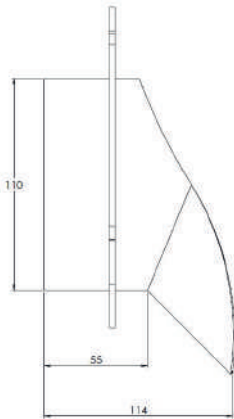


KENT KDN114/110 - Stainless Downspout Nozzle

The KDN114/110 Stainless Downspout Nozzle is an ideal product to divert water away from a building facade to prevent unwanted staining. The downspout nozzle is manufactured from polished grade 304 stainless steel as standard and comes with anti vandal fixings. This product is also known as a **Discharge Spout** or a **Rainwater Shoe**.

Features

- Stainless steel construction
- Polished finish



Hinged Variation

Product Code	Diameter	Length
KDN114/110	110mm	114mm
KDN114/160	160mm	114mm
Hinged Variation		
KHDN55/110	110mm	55mm
KHDN55/160	160mm	55mm

Specify: Kent KDN114/110 downspout nozzle; 110mm diameter outlet; grade 304 stainless steel.

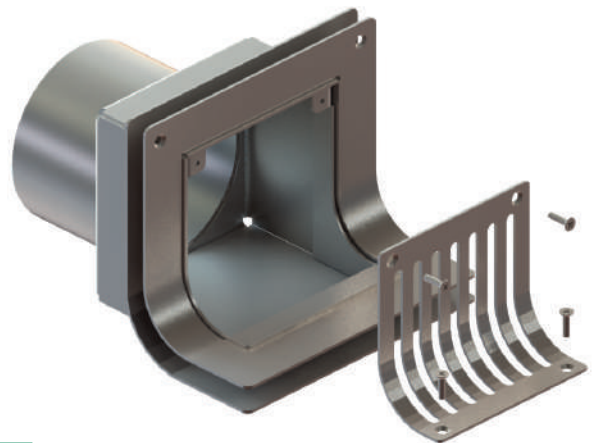
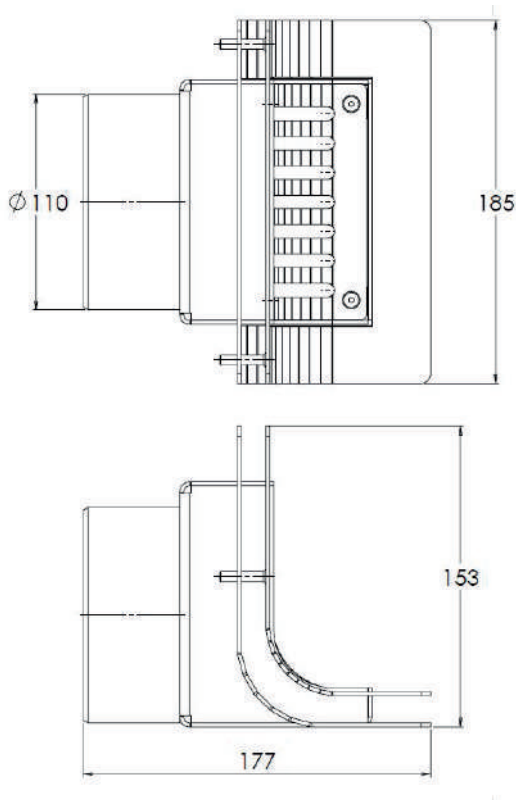


KENT KPD185/153/110 – Kent Parapet Drain

The KPD185/153/110 Kent Parapet Drain also known as the **Kent Scupper Drain** is an ideal product for secondary drainage points on pitched roofs. The scupper drain comes complete with a flush stainless steel grate and a 110mm outlet as standard. The grate is slotted with 6mm wide slots to ensure excellent water ingress while ensuring leaves and debris do not enter the gully.

Features

- Low Cost
- Stainless steel body
- Polished stainless steel flush grate



Product Code	Height	Length	Depth	Outlet
KPD185/153/110	153mm	185mm	177mm	110mm

Specify: Kent KPD185/153 Parapet drain; 185mm long; grade 304 stainless steel; complete with polished grating.

(amend underlined words to suit project)





KENT KNWD315/110 – Stainless Trash Can Drain/Nozzle Wash

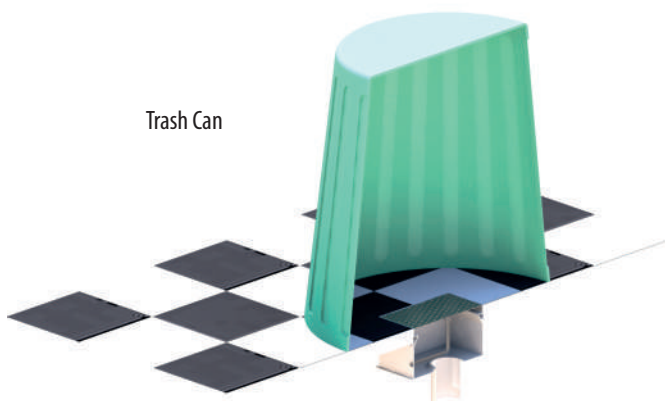
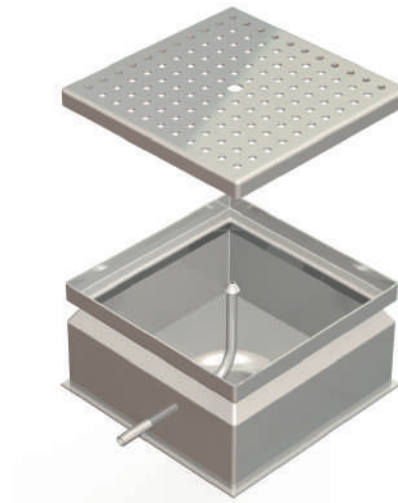
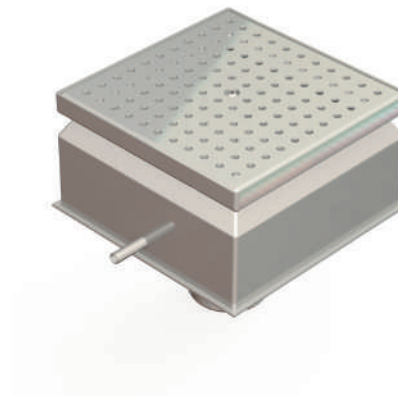
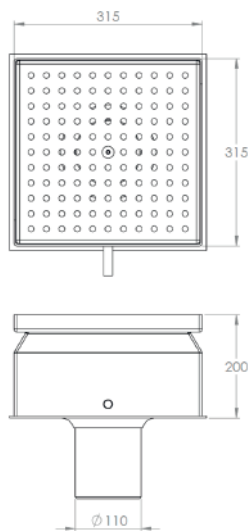
The KNW215/110 is ideal for use in all areas of maintenance. The gully was originally designed to allow maintenance staff to easily clean litter bins, but can also be applied to mop buckets, cleaning carts and trash bins.

The gully is manufactured with a high pressure nozzle connection and perforated grating making it easy to clean cumbersome containers.

In most cases a 110mm or 160mm outlet is required.

Features

- Grade 304 (1.4301) or 316 (1.4401) Stainless Steel to BS EN 10088
- Low Cost
- Strong
- Short lead time
- Usable in both heavy and light duty areas



Trash Can

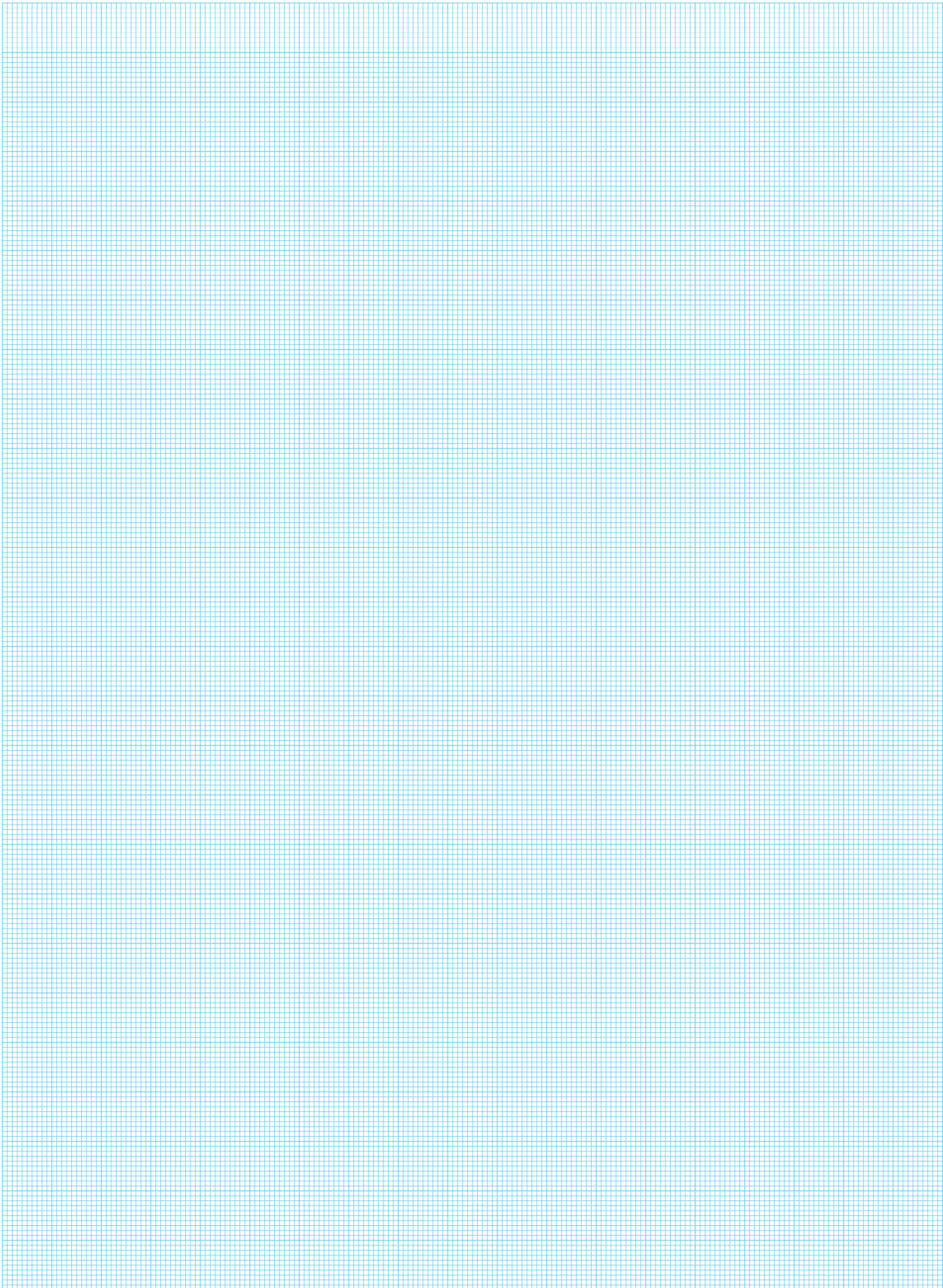
Product Code	Height	Width	Depth	Outlet	Swage	Flow Rate*
KNWD315/110	200	315	315	110	10	5.4 l/s

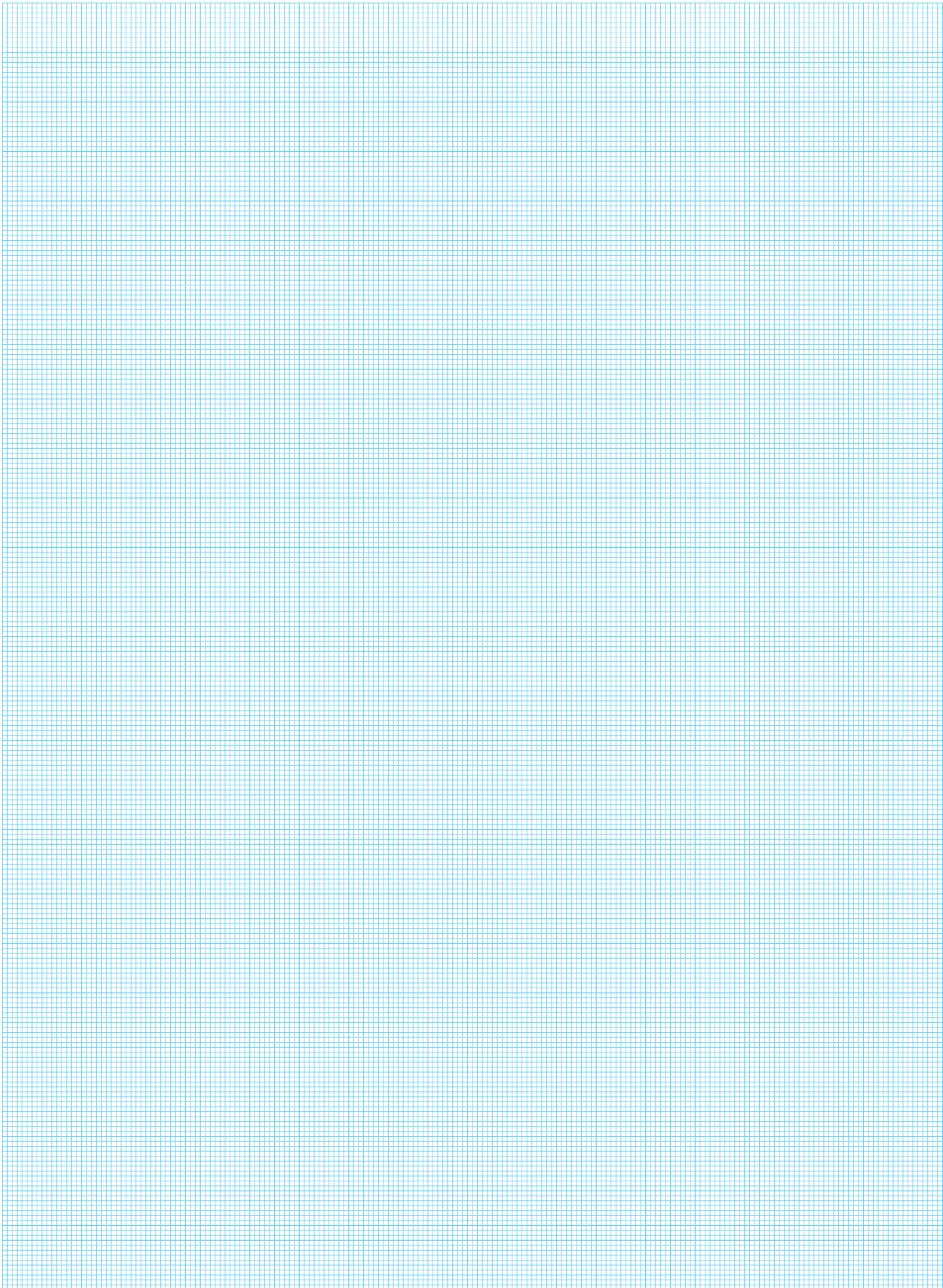
* flow rate is also dependant on grating chosen

Specify: Kent KNWD315/110 nozzle wash gully; 315mm x 315mm; grade 304 stainless steel; complete with perforated grating.

(amend underlined words to suit project)









Kent Stainless Ltd

Ardcavan, Wexford, Ireland

TEL NO + 353 53 914 3216

UK FREEPHONE 0800 376 8377

FAX + 353 53 914 1802

WEB www.kentstainless.com

EMAIL info@kentstainless.com