

SLOT DRAINAGE



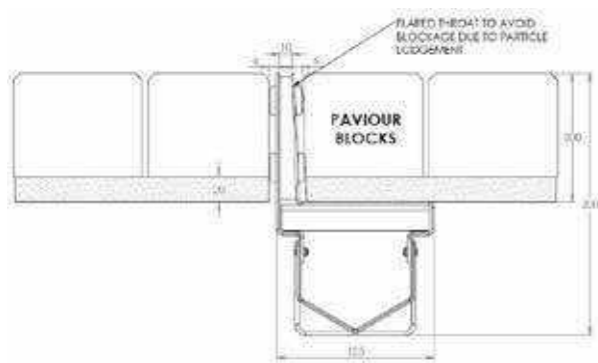
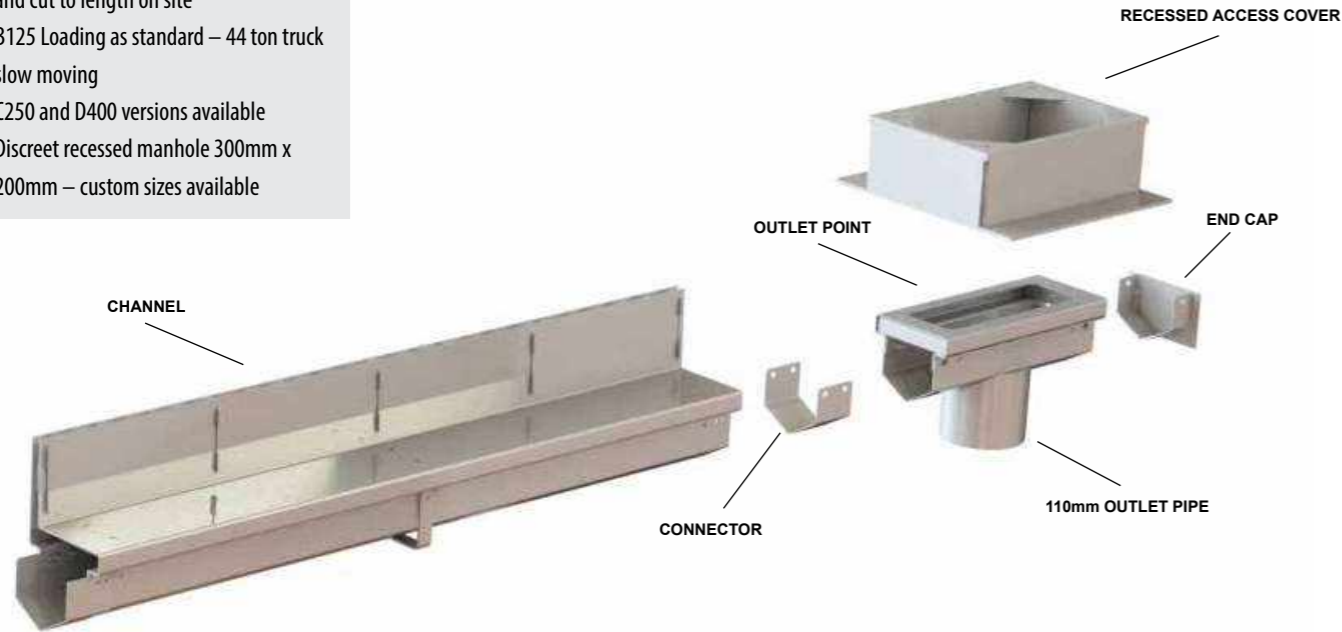
SLOT DRAINAGE



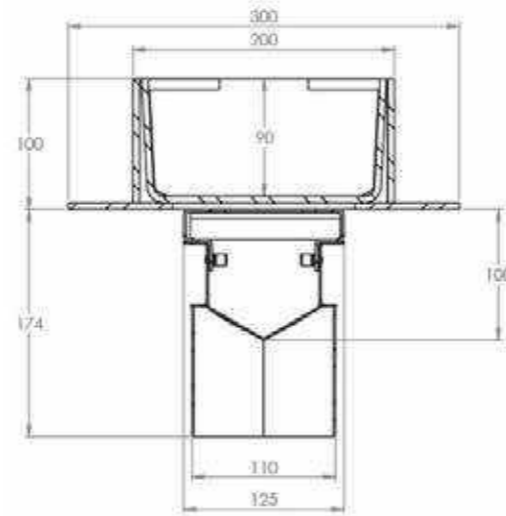
Kent Modular Slot Drain System is made up of stock of 1000mm sections which are joined easily on site using a throat and collar connection. The last length is then cut back on site to match the exact length required.

Features

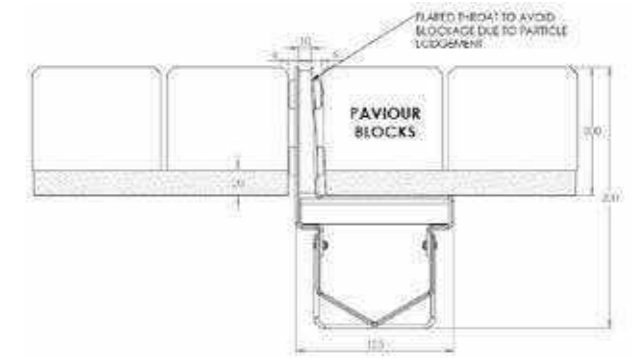
- ❑ Grade 316 stainless ex stock – grade 304 versions available
- ❑ Flexible modular system – easy to handle and cut to length on site
- ❑ B125 Loading as standard – 44 ton truck slow moving
- ❑ C250 and D400 versions available
- ❑ Discreet recessed manhole 300mm x 200mm – custom sizes available



Standard dimensions are 100mm high throat with 100mm deep recessed access covers (90mm internal depth). Body dimensions are 125mm x 100mm – to match in with the most commonly available polymer concrete system.

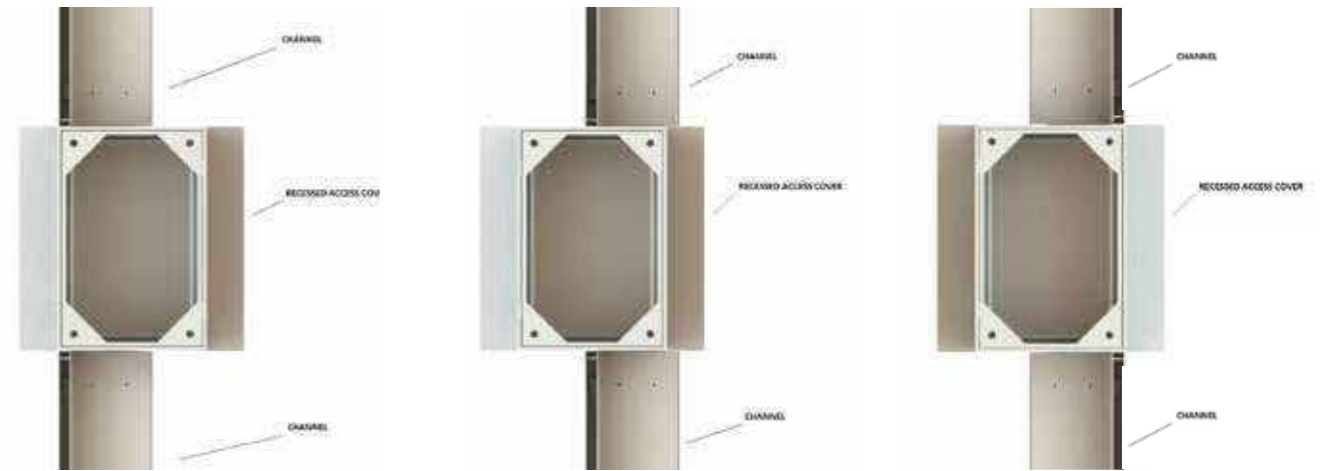


Standard throats are 10mm internal width and are flared outwards to allow debris push downwards and minimise blockages. All throats are made 2mm steel.



Standard channel is designed to be used as a facade drain but also as for drain runs in the central areas of the site – one profile suits both purposes.

Access Points are joined in the same way as a short length of channel. On top of this the recessed box is placed allowing it be moved left and right slightly if site paving pattern requires this.

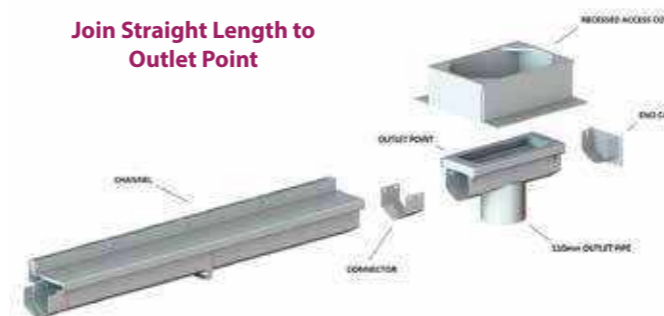


Join Straight Length to Straight Length

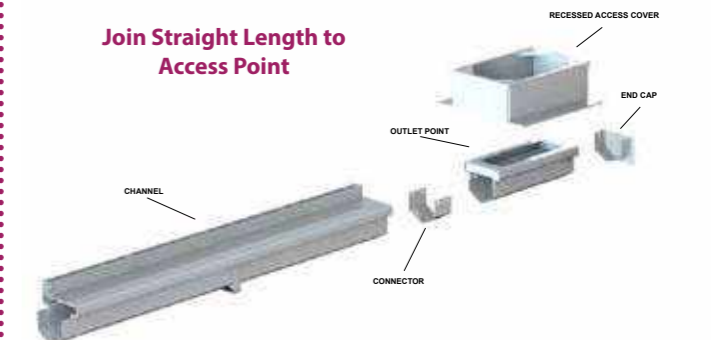


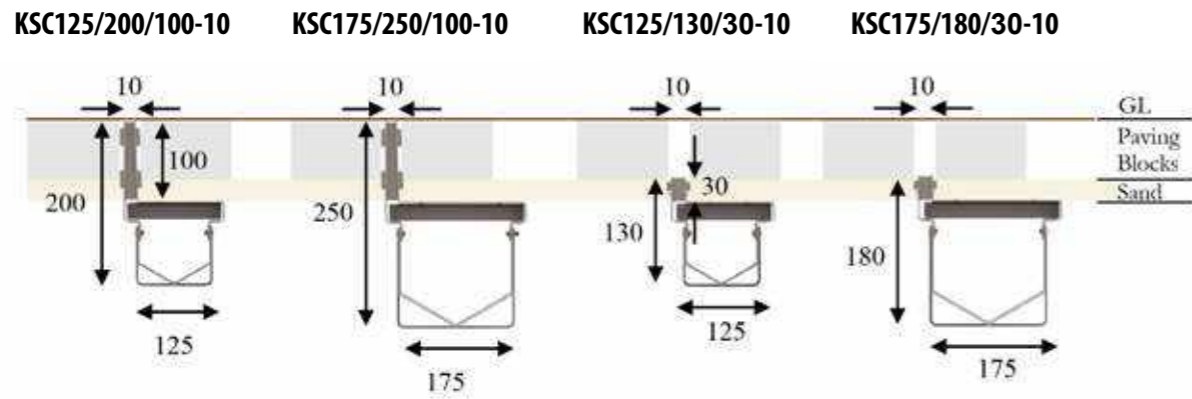
Outlet Points are treated the same way as an Access Point but with a 110mm bottom outlet as standard.

Join Straight Length to Outlet Point



Join Straight Length to Access Point





Visible Slot Dimensions

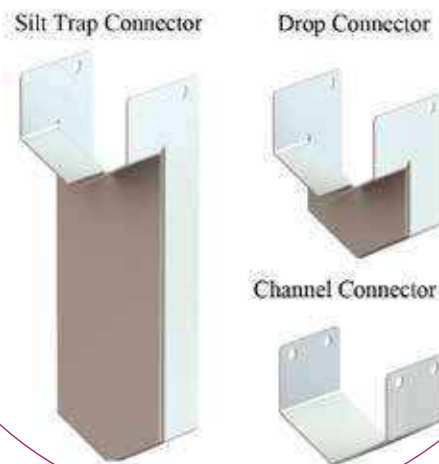
Height	Width	Height	Width
200	125	200	175
250	125	250	175
300	125	300	175

Hidden Slot Dimensions

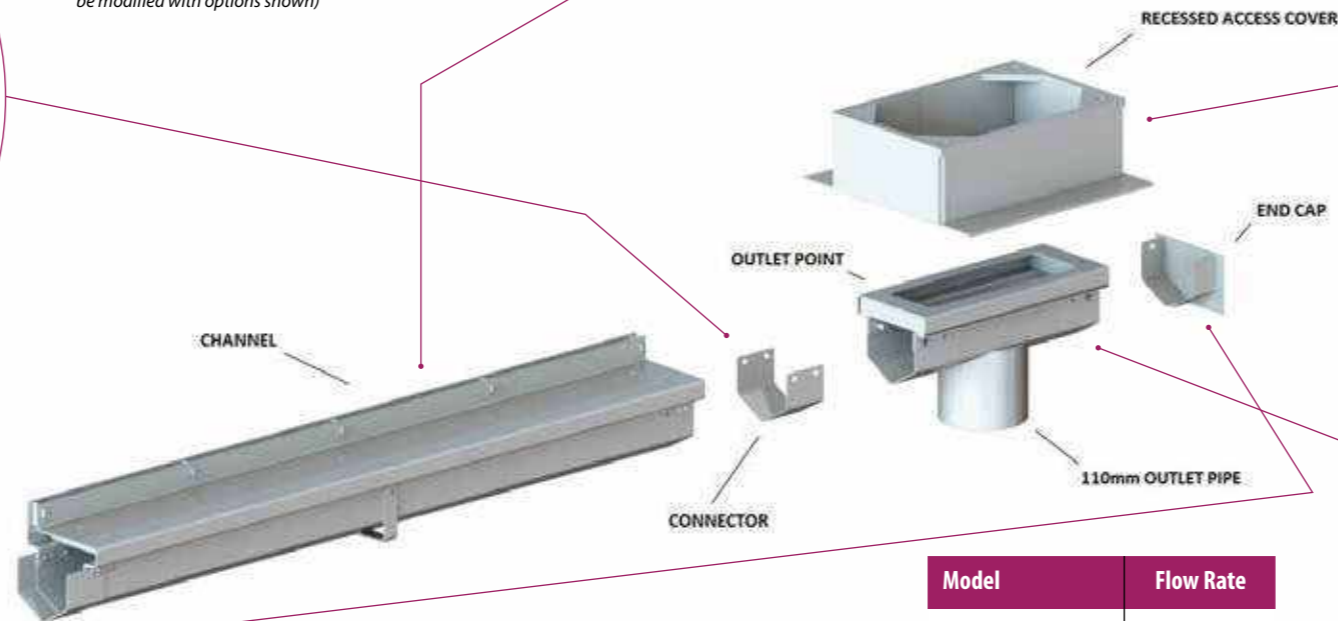
Height	Width	Height	Width
130	125	130	175
180	125	180	175
230	125	230	175

Specify:
 Kent Slot Channel KSC125/200/100-10; with 100mm visible slot; grade 316 stainless steel; level invert; 1000mm sections c/w KSCAC300/200 Access Boxes; with B125 loading; covering access points; and 110mm bottom outlet points
 (standard specification clause above can be modified with options shown)

Connector Options

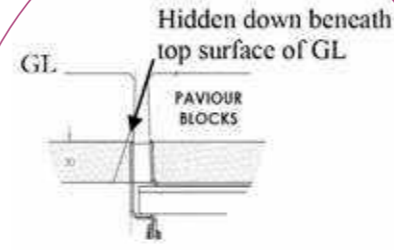


End Cap Options

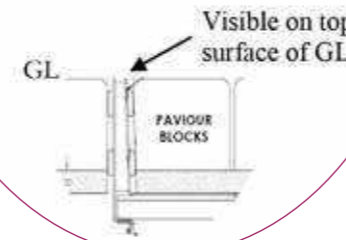


Model	Flow Rate
KSC125/200/100-10	2.3 l/s
KSC125/250/100-10	5.0 l/s
KSC125/300/100-10	8.0 l/s
KSC175/250/100-10	8.0 l/s
KSC175/300/100-10	13.0 l/s
KSC175/350/100-10	18.0 l/s

Hidden Slot



Visible Slot

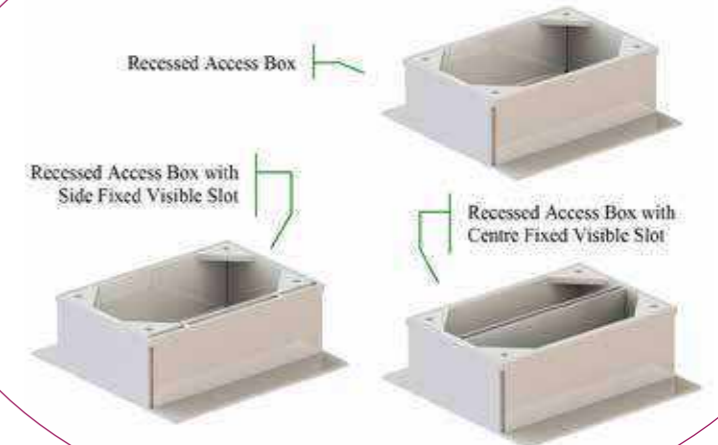


Top Slot Channel

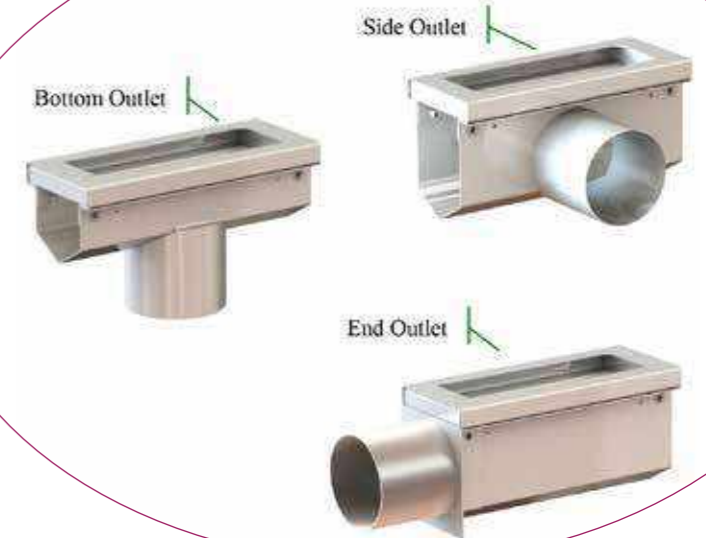
(for use with existing polymer channel system)



Access Cover Options



Outlet Point Options



SITES WHERE KENT SLOT CHANNEL IS INSTALLED



Canada Water, London



Gas Holders 8, London



Paddington, London



Bloomberg, London



Leadenhall, London



Merchants Square, London



Bishopsgate, London



Cubitt Park, London



Bloomberg, London



Kent Stainless Ltd

Ardcavan, Wexford, Ireland

TEL NO +353 53 914 3216

UK FREEPHONE 0800 376 8377

Qatar +974 3372 1757

FAX +353 53 914 1802

WEB www.kentstainless.com

EMAIL info@kentstainless.com