

MONOLITHS





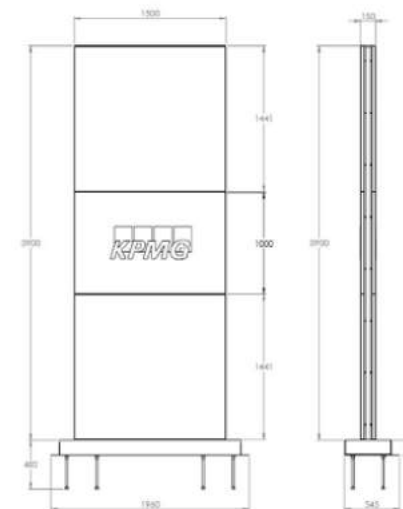
The Kent Corporate Entrance Totem KCET3900 is constructed from Grade 316L Stainless Steel, Powder Coated to corporate colours. It measures 3900mm high x 1500mm wide x 150mm deep.

The central 1500mm x 1000mm panel is customisable to any logo – in this case Frosted Perspex Lettering stands proud of the background blue rectangular panels and is backlit with white LEDs. The monoliths were designed and manufactured for the refurbishment of the Stokes Place Headquarters of KPMG in Dublin in 2016. The Monolith comes with translucent colourless side panels which cover blue LED lighting strips.

The Kent '2 Stage' installation process was chosen as an optional extra and allows the paved area be completed with a temporary base-box. The monolith panel is stored and protected elsewhere until site is due for completion and is simply fixed mechanically to the base box. Mac Interiors and Mitchell Associates Architects matched features of this Corporate Entrance Totem Monolith with other directional monoliths and map panel monoliths on the same site.

Features

- ◆ 316 Stainless Steel Powder Coated
- ◆ Frosted Perspex 3D logo
- ◆ Coloured Side Lighting
- ◆ Suitable for 2 stage fix and temporary base box
- ◆ Illuminated Logo
- ◆ 2 Sided

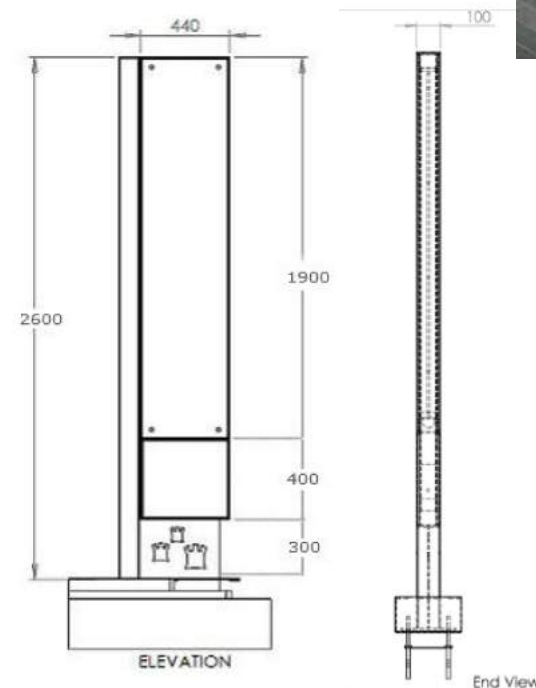




The Kent 'Dubline' Wayfinding Monolith KDWFM2600 is constructed from Grade 316L Stainless Steel with 10mm Toughened Glass Panels covering a reverse mounted poster. The monoliths were designed and manufactured for the 'Dubline' Project in Dublin City Centre, this scheme was funded by Dublin City Council. The Monolith comes with a Bright Peened finish as standard. The Poster Size is 1895mm and is illuminated by an LED panel and is mounted beside 100mm x 100mm box section. There are 2 panels at the bottom allowing mounting of logo decals. The other facilitates a hollow laser cut logo.

Features

- ◆ 316L Stainless Steel
- ◆ 10mm Toughened Glass Panels
- ◆ Bright Peened finish
- ◆ Reverse mounted posters
- ◆ Laser Cut logos
- ◆ Illuminated map panel
- ◆ 2 sided
- ◆ Suitable for 2 stage fix & temporary base box





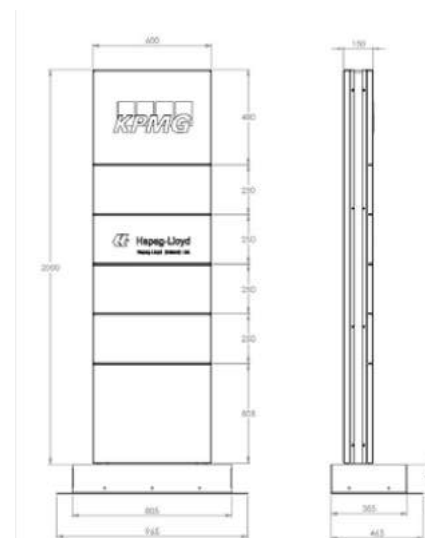
The Kent Embassy Wayfinding Monolith KEWM2000 is constructed from Grade 316L Stainless Steel with a 320 Grit satin Finish. It measures 2000mm high x 600mm wide x 150mm deep. The top 600mm x 480mm panel is customisable to any logo – in this case Frosted Perspex Lettering stands proud of the background blue rectangular panels and is backlit with white LEDs. The other non lit 4 panels are 250mm x 600mm and are etched and in-filled to corporate colours and logos. In this example we show panels with 'Embassy of Finland', 'Hapag-Lloyd' and 'KDB Ireland'.

The Kent '2 Stage' installation process was chosen as an optional extra and allows the paved area be completed with a temporary base-box. The monolith panel is stored and protected elsewhere until site is due for completion and is simply fixed mechanically to the base box.

Mac Interiors and Mitchell Associates Architects matched features of this Embassy Wayfinding Monolith Monolith with other directional monoliths and map panel monoliths on the same site.

Features

- ◆ 316 Stainless Steel
- ◆ Frosted Perspex 3D logo
- ◆ Coloured Side Lighting
- ◆ Suitable for 2 stage fix and temporary base box
- ◆ 4 Non lit customisable panels
- ◆ Single sided as standard





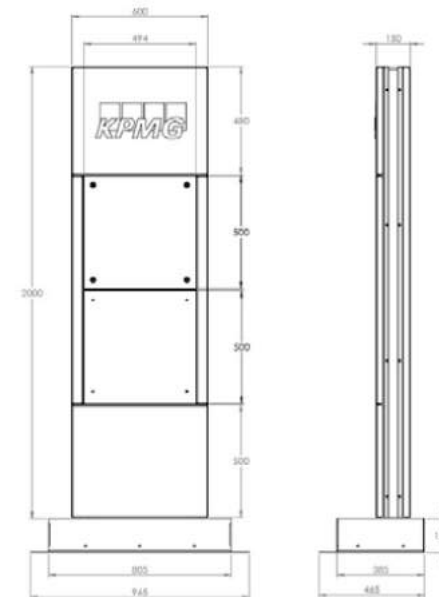
The Kent Harcourt Wayfinding Monolith KHWFM2000 is constructed from Grade 316L Stainless Steel with 10mm Toughened Glass Panels covering a reverse mounted vinyl printed with UV cured inks. It measures 2000mm high x 600mm wide x 150mm deep.

The poster cases measure 494mm x 500mm and are illuminated by even light LED panels.

The monoliths were designed and manufactured for the refurbishment of the Stokes Place Headquarters of KPMG in Dublin in 2016. The Monolith comes with translucent colourless side panels which cover blue LED lighting strips. The Kent '2 Stage' installation process was chosen as an optional extra and allows the paved area be completed with a temporary base-box. The monolith panel is stored and protected elsewhere until site is due for completion and is simply fixed mechanically to the base box.

Features

- ◆ 316 Stainless Steel
- ◆ 10mm Toughened Glass Panels
- ◆ Reverse Mounted Posters
- ◆ Frosted Perspex 3D logo
- ◆ Coloured Side Lighting suitable for 2 stage fix and temporary base box
- ◆ 1 Sided as standard
- ◆ Illuminated





The Kent RTPI Touchscreen Totem KRTT3670 is constructed from Grade 316L Stainless Steel, and enamel panels coloured to corporate colours. It measures 3670mm high x 745mm wide x 250mm deep. The top 745mm x 384mm illuminated beacon panel is customisable to any logo – just below this, 2 RTPI screens are mounted on top of each other facing in opposite directions. RTPI screens to suit this are available from Data Display Daktronics.

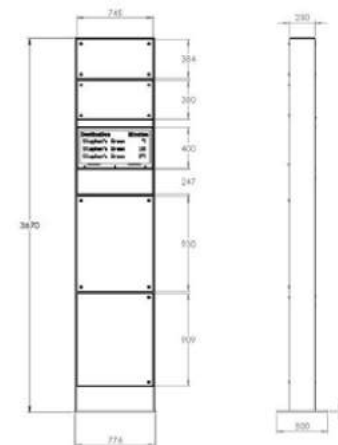
At eye level the 930mm x 745mm panel can hold either a touch screen or an illuminated reverse mounted poster.

The monoliths were designed and manufactured for the Luas Cross City tram line in Dublin and formed part of a suite of furniture designed by RPA/TII and manufactured by Kent Stainless.

The Kent '2 Stage' installation process can be chosen as an optional extra and allows the paved area be completed with a temporary base-box. The monolith panel can then be stored and protected elsewhere until site is due for completion and is simply fixed mechanically to the base box.

Features

- ◆ 316 Stainless Steel
- ◆ Enamel Panels
- ◆ RTPI Housing
- ◆ Touchscreen Housing (Optional)
- ◆ Illuminated Map Panel Case (Standard)
- ◆ Illuminated Top Beacon



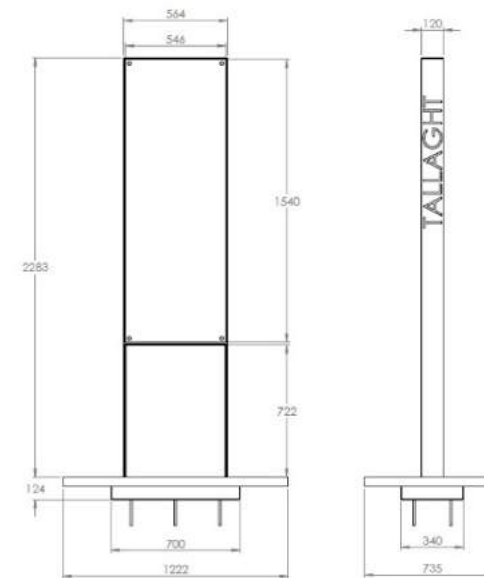


The Kent Tallaght Wayfinding Monolith KTWM2283 is constructed from Grade 316L Stainless Steel with 10mm Toughened Glass Panels covering a reverse mounted poster.

The side Panels have contrasting shot peened and bright satin stainless for lettering or simple logos. The bottom panel is 546 x 722 and can have decal logos or etched ink infill logos. Matching finger posts are available for a wayfinding scheme.

Features

- ◆ 316L Stainless Steel
- ◆ 10mm Toughened Glass Panels
- ◆ Bright Satin finish
- ◆ Reverse Mounted Posters
- ◆ Durable Shot Peened Logo
- ◆ 2 Stage Installation
- ◆ 2 sided as standard
- ◆ The poster size is 1540 x 546mm and non lit





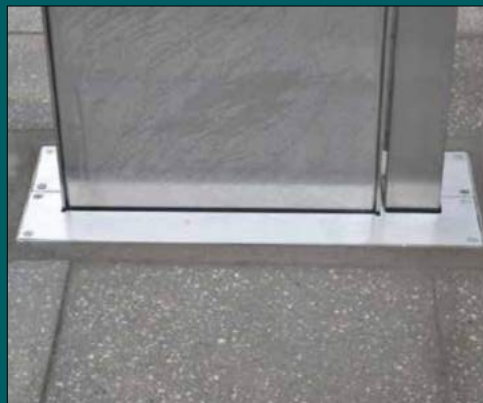
The Kent Wexford Wayfinding Monolith KWWM2000 is constructed from Grade 316L Stainless Steel with 10mm Toughened Glass Panels covering a reverse mounted vinyl printed with UV cured inks. It measures 2000mm high x 875mm wide x 100mm deep. The poster case measures 1892mm x 749mm and is mounted to the side of 100mm x 100mm box section. The monoliths were designed and manufactured for the 'Norman Way' Section of the Wexford Trails; this scheme in turn is under the umbrella brand of "Ireland's Ancient East". The Monolith comes with a RAL9007 Powder Coated Grade 304 Stainless finish as standard. The 'Wexford Trails' font is laser cut through the stainless steel box section. Other logos (Norman Way/Ireland's Ancient East and Wexford County Council) are all incorporated into the poster.

The Kent '2 Stage' installation process was chosen as an optional extra and allows the paved area be completed with a temporary base-box. The monolith panel is stored and protected elsewhere until site is due for completion and is simply fixed mechanically to the base box.

Features

- ◆ 304 Stainless Steel Powder Coated
- ◆ 10mm Toughened Glass Panels
- ◆ Reverse Mounted posters
- ◆ Laser Cut logos
- ◆ Matching fingerposts are available for wayfinding schemes
- ◆ Double sided as standard
- ◆ Poster case 1892 x 749 is non lit





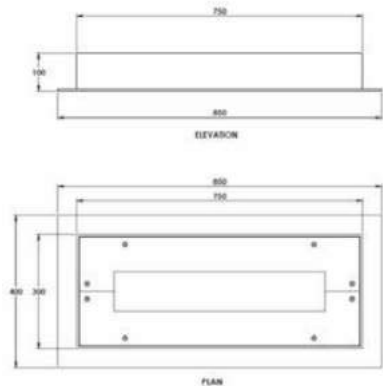
Kent Monolith BaseBox KMB800 is a basebox that allows a 2 stage fix. This allows the contractor complete paving and keeps the monoliths protected off site during construction.

A temporary plate is fixed to the base box and this is replaced at final sign off with a 2 part cover plate that surround the sign. Signs are fitted to the base box mechanically just before site opens. As standard the base box has a knockout for cabling on 4 sides.

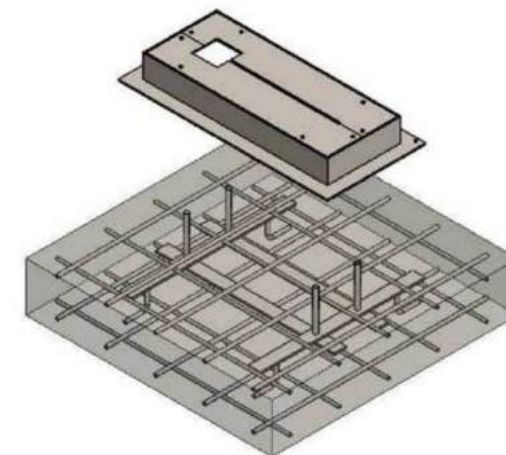
Typical Baseboxes are made 80mm deep for projects with 60mm deep pavers and 20mm bedding to the subsurface alongside them.

Features

- ◆ Grade 316 Stainless Steel
- ◆ Pedestrian Temporary Load Plate
- ◆ Knockouts for side cable entry



The above dimensions are indicative only and show the Basebox for the Tallaght Wayfinding Totem. Dimensions are customised to suit the totem.





15



Kent Longford Notice Board



Kent Interactive Wayfinding Kiosk



Kent Mayo Fingerpost, matches Wexford Monolith



Kent Mayo Fingerpost, Grangegorman



Wexford Wayfinding Lectern, New Ross



Tallaght Fingerpost, matches Tallaght Monolith

16



Kent Stainless Ltd

Ardcavan, Wexford, Ireland

TEL NO + 353 53 914 3216

UK FREEPHONE 0800 376 8377

Qatar +974 3372 1757

FAX + 353 53 914 1802

WEB www.kentstainless.com

EMAIL info@kentstainless.com